

DATA SHEET



Three Phase Induction Motor - Squirrel Cage

Customer : ASTRAPROM

Product line : W22 IE3 Three-Phase Product code : 12867400

Frame	: 132M	Locked rotor time	: 23s (cold) 13s (hot)
Output	: 9.2 kW (12.5 HP)	Temperature rise	: 80 K
Frequency	: 50 Hz	Duty cycle	: S1
Rated voltage	: 400/690 V	Ambient temperature	: -20°C to +40°C
Poles	: 2	Altitude	: 1000 m.a.s.l.
Rated current	: 16.6/9.65 A	Protection degree	: IP55
LRC	: 8.5	Cooling method	: IC411 - TEFC
Rated speed	: 2935 rpm	Mounting	: B3T
Rated torque	: 30.0 Nm	Rotation ¹	: Both (CW and CCW)
Insulation class	: F	Noise level ²	: 63.0 dB(A)
Service factor	: 1.00	Starting method	: Direct On Line
Moment of inertia (J)	: 0.0303 kgm ²	Approx. weight ³	: 81.6 kg
Design	: N		

Output	50%	75%	100%	Foundation loads	
Efficiency (%)	88.0	90.0	90.7	Max. traction	: 1436 N
Power Factor	0.76	0.84	0.88	Max. compression	: 2236 N

Losses at normative operating points (speed;torque), in percentage of rated output power

P1 (0,9;1,0)	P2 (0,5;1,0)	P3 (0,25;1,0)	P4 (0,9;0,5)	P5 (0,5;0,5)	P6 (0,5;0,25)	P7 (0,25;0,25)
8.8	6.0	4.8	5.7	3.2	2.5	1.4

	Drive end	Non drive end
Bearing type	: 6308 ZZ	: 6207 ZZ
Sealing	: V'Ring	: V'Ring
Lubrication interval	: -	: -
Lubricant amount	: -	: -
Lubricant type	: 00088	

Notes

This revision replaces and cancel the previous one, which must be eliminated.

- (1) Looking the motor from the shaft end.
- (2) Measured at 1m and with tolerance of +3dB(A).
- (3) Approximate weight subject to changes after manufacturing process.
- (4) At 100% of full load.

These are average values based on tests with sinusoidal power supply, subject to the tolerances stipulated in IEC 60034-1.

Rev.	Changes Summary	Performed	Checked	Date
Performed by				
Checked by			Page	Revision
Date	27/03/2026		1 / 2	

DATA SHEET



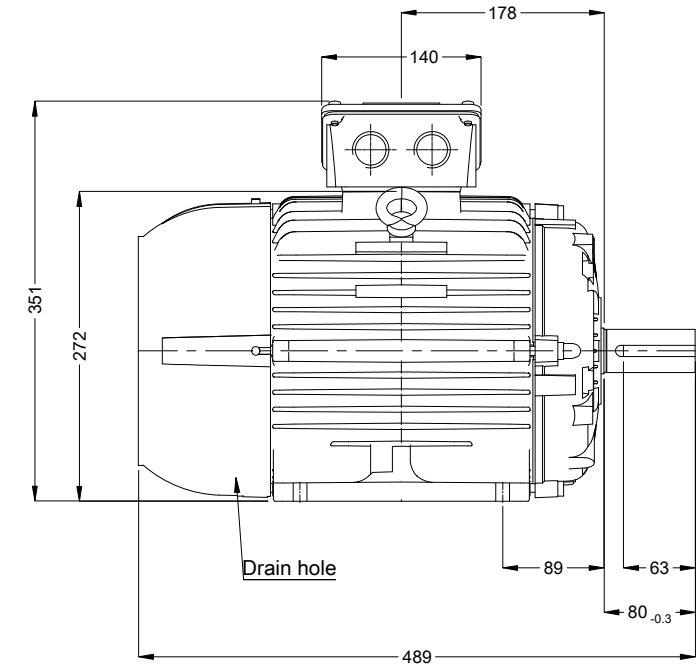
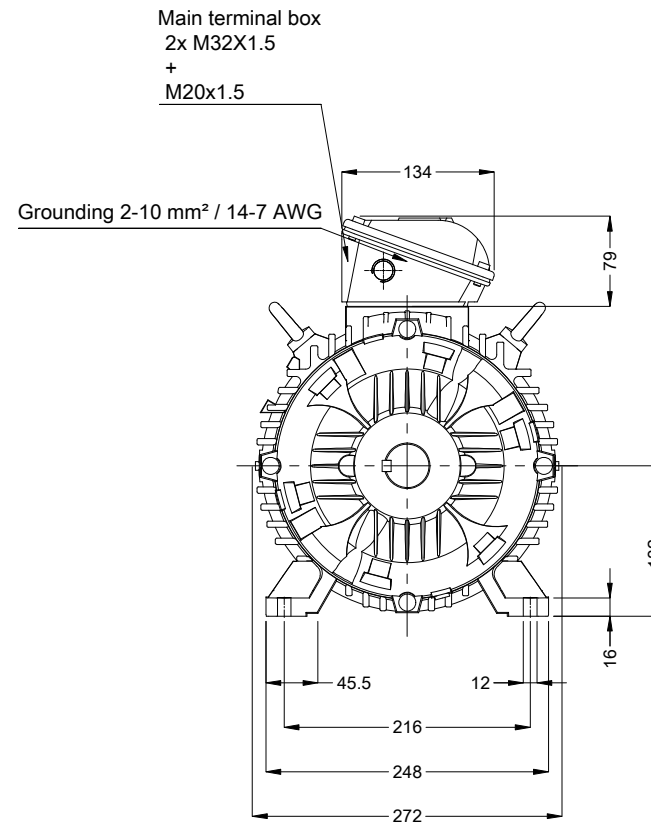
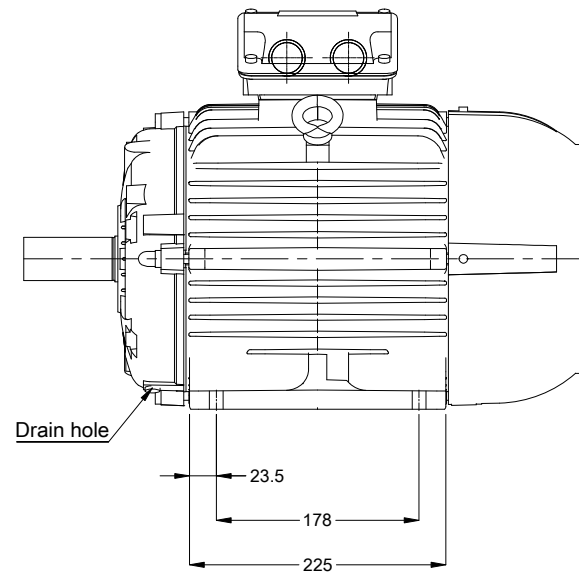
Three Phase Induction Motor - Squirrel Cage

Customer : ASTRAPROM

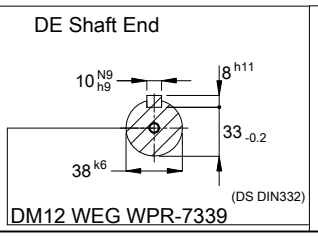
Thermal protection

ID	Application	Type	Quantity	Sensing Temperature
1	Winding	Thermistor - 2 wires	1 x Phase	155 °C

Rev.	Changes Summary	Performed	Checked	Date
Performed by				
Checked by			Page	Revision
Date	27/03/2026		2 / 2	



Thermal protection to switch off - thermistors 155°C
 Color RAL 5009
 Painting plan 207A
 Mounting NEMA F-3
 Mounting B3T



9.2 kW 02 Poles 50 Hz										A
Scale 2 : 13										
					HYBRISUSER					00
ECM	LOC	SUMMARY OF MODIFICATIONS			EXECUTED	CHECKED	RELEASED	DATE	VER	
EXECUTED	HYBRISUSER	THREE PH. MOTOR W22 IE3			PREVIEW					
CHECKED		FRAME 132M IP55 TEFC			WDD 00					
RELEASED					SHEET 1 / 1					
REL. DATE										