

DATA SHEET



Three Phase Induction Motor - Squirrel Cage

Customer : ASTRAPROM

Product line : W22 IE3 Three-Phase Product code : 12862409

Frame	: 250S/M	Locked rotor time	: 16s (cold) 9s (hot)
Output	: 55 kW (75 HP)	Temperature rise	: 80 K
Frequency	: 50 Hz	Duty cycle	: S1
Rated voltage	: 400/690 V	Ambient temperature	: -20°C to +40°C
Poles	: 2	Altitude	: 1000 m.a.s.l.
Rated current	: 97.9/56.7 A	Protection degree	: IP55
LRC	: 8.0	Cooling method	: IC411 - TEFC
Rated speed	: 2968 rpm	Mounting	: B3T
Rated torque	: 177 Nm	Rotation ¹	: Both (CW and CCW)
Insulation class	: F	Noise level ²	: 74.0 dB(A)
Service factor	: 1.00	Starting method	: Direct On Line
Moment of inertia (J)	: 0.3736 kgm ²	Approx. weight ³	: 462 kg
Design	: N		

Output	50%	75%	100%	Foundation loads	
Efficiency (%)	93.0	93.5	94.3	Max. traction	: 3530 N
Power Factor	0.74	0.82	0.86	Max. compression	: 8065 N

Losses at normative operating points (speed;torque), in percentage of rated output power

P1 (0,9;1,0)	P2 (0,5;1,0)	P3 (0,25;1,0)	P4 (0,9;0,5)	P5 (0,5;0,5)	P6 (0,5;0,25)	P7 (0,25;0,25)
5.2	3.5	2.9	3.4	1.8	1.4	0.8

		<u>Drive end</u>	<u>Non drive end</u>
Bearing type	:	6314 C3	6314 C3
Sealing	:	WSeal	WSeal
Lubrication interval	:	5000 h	5000 h
Lubricant amount	:	27 g	27 g
Lubricant type	:	Mobil Polyrex EM	

Notes

This revision replaces and cancel the previous one, which must be eliminated.

- (1) Looking the motor from the shaft end.
- (2) Measured at 1m and with tolerance of +3dB(A).
- (3) Approximate weight subject to changes after manufacturing process.
- (4) At 100% of full load.

These are average values based on tests with sinusoidal power supply, subject to the tolerances stipulated in IEC 60034-1.

Rev.	Changes Summary	Performed	Checked	Date
Performed by		Page		Revision
Checked by		1 / 2		
Date	27/03/2026			

DATA SHEET



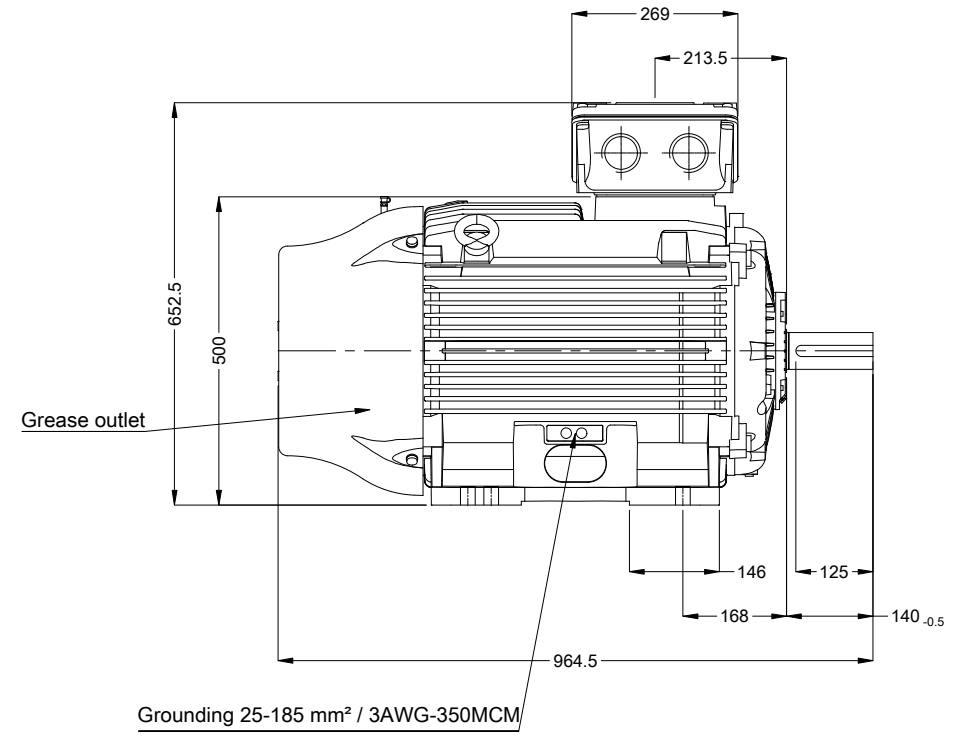
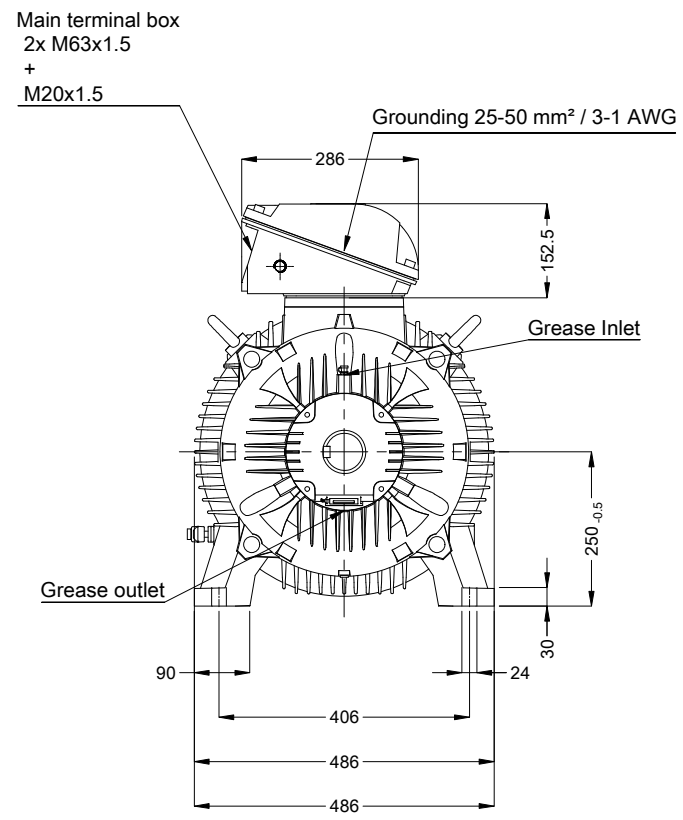
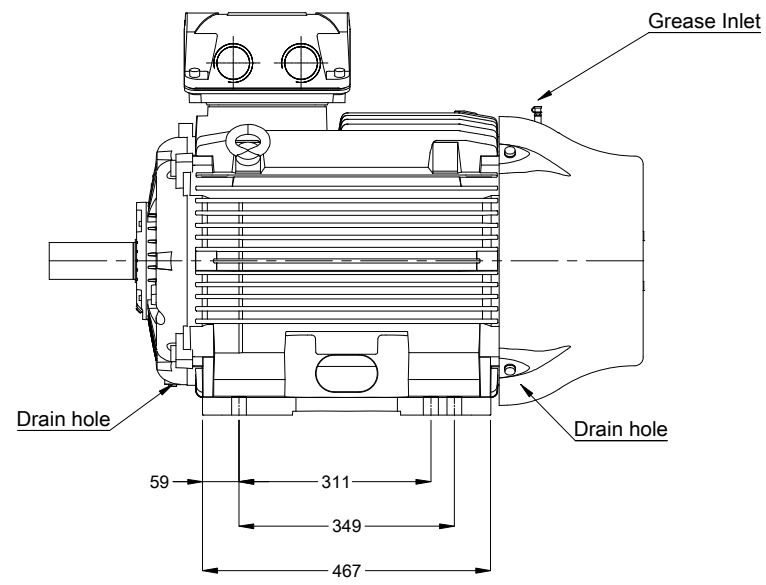
Three Phase Induction Motor - Squirrel Cage

Customer : ASTRAPROM

Thermal protection

ID	Application	Type	Quantity	Sensing Temperature
1	Winding	Thermistor - 2 wires	1 x Phase	155 °C

Rev.	Changes Summary	Performed	Checked	Date
Performed by				
Checked by			Page	Revision
Date	27/03/2026		2 / 2	



A

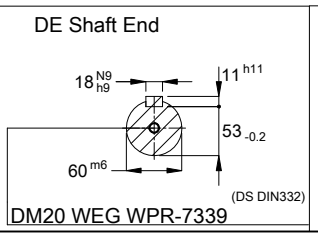
B

C

D

E

Without vertical jackscrews
 Color RAL 5009
 Painting plan 203A
 Mounting B3T



55 kW 02 Poles 50 Hz										A
Scale 1 : 12										
					HYBRISUSER					00
ECM	LOC	SUMMARY OF MODIFICATIONS			EXECUTED	CHECKED	RELEASED	DATE	VER	
EXECUTED	HYBRISUSER	THREE PH. MOTOR W22 IE3								
CHECKED		FRAME 250S/M IP55 TEFC								
RELEASED										
REL. DATE										
				PREVIEW		WDD 00		SHEET 1 / 1		