

# DATA SHEET



## Three Phase Induction Motor - Squirrel Cage

Customer :

Product line : Multimounting IE3 Three-Phase Product code : 13096275

Frame	: 80	Locked rotor time	: 41s (cold) 23s (hot)
Output	: 0.75 kW (1 HP)	Temperature rise	: 80 K
Frequency	: 50 Hz	Duty cycle	: S1
Rated voltage	: 230/400 V	Ambient temperature	: -20°C to +40°C
Poles	: 4	Altitude	: 1000 m.a.s.l.
Rated current	:	Protection degree	: IP55
	YDESCRICAO_CORRENTE	Cooling method	: IC411 - TEFC
LRC	: 6.2	Mounting	: B5T
Rated speed	: 1435 rpm	Rotation <sup>1</sup>	: Both (CW and CCW)
Rated torque	: 4.99 Nm	Noise level <sup>2</sup>	: 44.0 dB(A)
Insulation class	: F	Starting method	: Direct On Line
Service factor	: 1.00	Approx. weight <sup>3</sup>	: 15.0 kg
Moment of inertia (J)	: 0.0032 kgm <sup>2</sup>		
Design	: N		

Output	50%	75%	100%	Foundation loads	
Efficiency (%)	80.0	82.0	82.5	Max. traction	: 374 N
Power Factor	0.61	0.74	0.81	Max. compression	: 521 N

Losses at normative operating points (speed;torque), in percentage of rated output power

P1 (0,9;1,0)	P2 (0,5;1,0)	P3 (0,25;1,0)	P4 (0,9;0,5)	P5 (0,5;0,5)	P6 (0,5;0,25)	P7 (0,25;0,25)
21.2	20.0	18.6	10.2	7.4	5.1	3.6

	Drive end	Non drive end
Bearing type	: 6204 ZZ	6203 ZZ
Sealing	: Oil Seal	Oil Seal
Lubrication interval	: -	-
Lubricant amount	: -	-
Lubricant type	: Mobil Polyrex EM	

### Notes

This revision replaces and cancel the previous one, which must be eliminated.

- (1) Looking the motor from the shaft end.
- (2) Measured at 1m and with tolerance of +3dB(A).
- (3) Approximate weight subject to changes after manufacturing process.
- (4) At 100% of full load.

These are average values based on tests with sinusoidal power supply, subject to the tolerances stipulated in IEC 60034-1.

Rev.	Changes Summary	Performed	Checked	Date
Performed by				
Checked by			Page	Revision
Date	04/03/2026		1 / 2	

# DATA SHEET

## Three Phase Induction Motor - Squirrel Cage

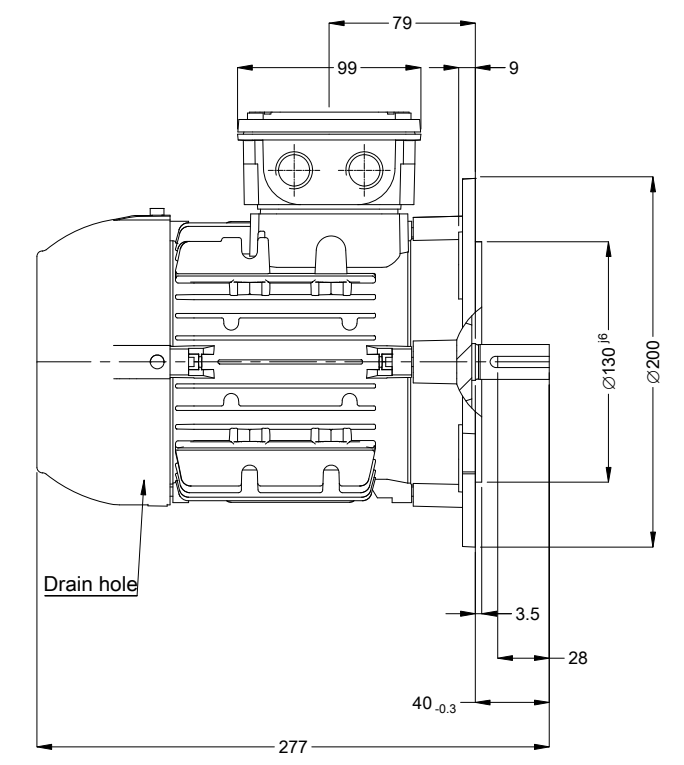
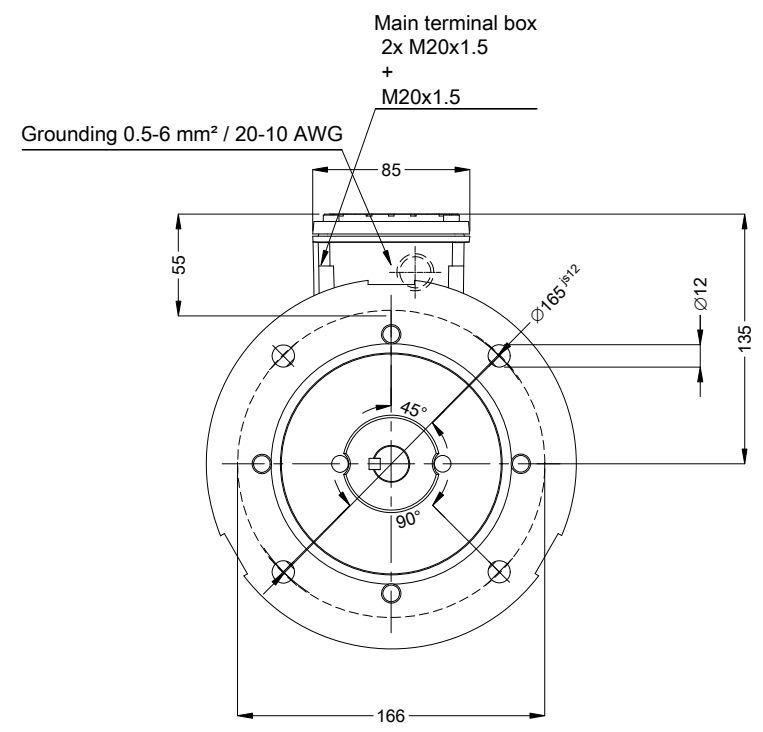
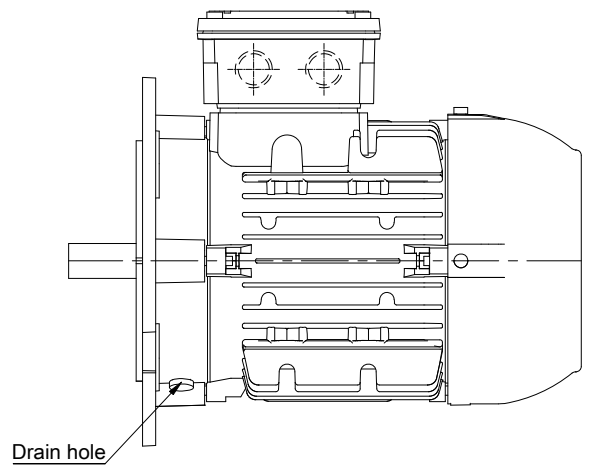


Customer : \_\_\_\_\_

### Thermal protection

ID	Application	Type	Quantity	Sensing Temperature
1	Winding	Thermistor - 2 wires	1 x Phase	155 °C

Rev.	Changes Summary	Performed	Checked	Date
Performed by				
Checked by			Page	Revision
Date	04/03/2026		2 / 2	

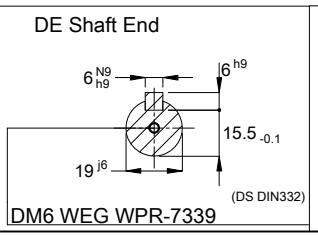


A  
B  
C

D

E

Sealing - oil seal ring
Bearing cap
Thermal protection to switch off - thermistors 155°C
Color RAL 5009
Painting plan 207A
Mounting B5T



0.75 kW 04 Poles 50 Hz						A
Scale 1 : 4						
				HYBRISUSER		00
ECM	LOC	SUMMARY OF MODIFICATIONS		EXECUTED	CHECKED	RELEASED
EXECUTED	HYBRISUSER	THREE PH. MOTOR MULTIMOUNTIN TOP PREM. EFF.				
CHECKED		FRAME 80 IP55 TEFC				
RELEASED						
REL. DATE						
				PREVIEW		
				WDD	00	
				SHEET 1 / 1		