


NTN BEARING CORPORATION OF AMERICA

Head Office

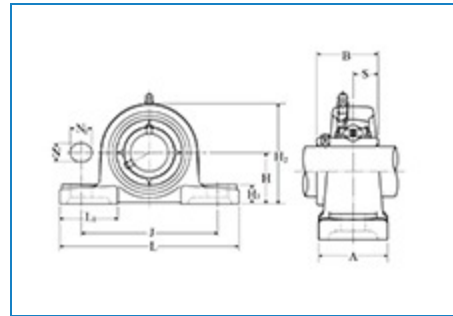
1600 E. Bishop Court, P.O. Box 7604

Mount Prospect, IL 60056-7604, U.S.A.

Phone: 847-298-7500

Fax: 847-699-9744

Toll Free: 800-323-2358

Email: mkt@ntnamerica.com
Website: www.ntnamericas.com
Item # UCPX10D1, Pillow Block Unit, Cast Housing, Set Screw, UCP/UCPX Type

[Order Now](#) | [Technical Specifications](#) | [Dimensional Specifications](#)
Order Now
Ordering Options

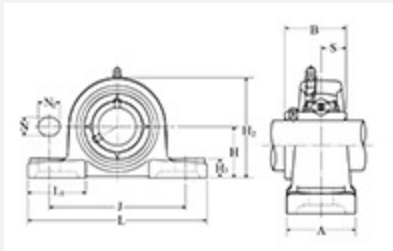
[Order Online through NTN DOL](#)
[Contact NTN Customer Relations](#)
[Search for a Licensed Distributor](#)

Technical Specifications

Type	Pillow Block Unit
Bearing Type	Ball Bearing
Locking Device	Set Screw
Seal Type	Contact
Seal Material	Nitrile Rubber
Bearing Number	UCX10D1

Housing Number	PX10D1
Housing Material	Cast Iron
Housing Construction	1 piece
Performance	Medium Duty
End Type	Open
Dynamic Load Rating	9800 lbf 43500 N 43.50 kN
Static Load Rating	6550 lbf 29200 N 29.20 kN
Weight	9.480 lb 4.300 kg
Operating Temperature Range	-40 to 250 °F -40 to 120 °C
Lubrication	Relubricatable

Dimensional Specifications



Pillow Block Unit, Cast Housing, Set Screw, UCP/UCPX Type - Dimensions

d	1.9685 in 50.000 mm
J	6.7187 in 171.0 mm
L	9.5000 in 241.0 mm
A	2.8750 in 73.0 mm

H	2.5000 in 63.5 mm
H1	1.0625 in 27.0 mm
H2	4.9687 in 126.0 mm
L1	2.7500 in 70.0 mm
N	0.7812 in 20.0 mm
N1	1.0625 in 23.0 mm
B	2.1890 in 55.600 mm
S	0.8740 in 22.200 mm
F	0.2362 in 6.000 mm