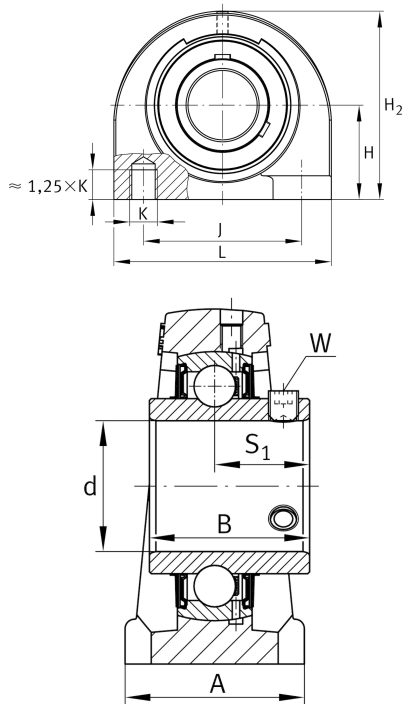
**FAG****UCPA206**

## Plummer block housing unit

Schaeffler ID:  
0821998250000

Plummer block housing units UCPA, cast iron housing, with short base, radial insert ball bearing with grub screws in inner ring, RSR seals

## Technical information

**Main Dimensions & Performance Data**

d	[30] mm	Bore diameter
L	[94] mm	Length total
H <sub>2</sub>	[84] mm	Height
	[1,282] kg	Weight

**Mounting dimensions**

J	[66] mm	Distance fixing bore
K	[M14]	Thread fixing bore

**Dimensions**

H	[42,9] mm	Distance shaft axis
A	[48] mm	Width (base)
Q	[M6]	Connection thread for lubrication
B	[38,1] mm	Width of inner ring
S <sub>1</sub>	[22,2] mm	Distance of raceway to locking collar

**Additional information**

	[PA206]	Housing
	[UC206]	Bearing designation

**Temperature range**

T <sub>min</sub>	[-20] °C	Operating temperature min.
T <sub>max</sub>	[120] °C	Operating temperature max.