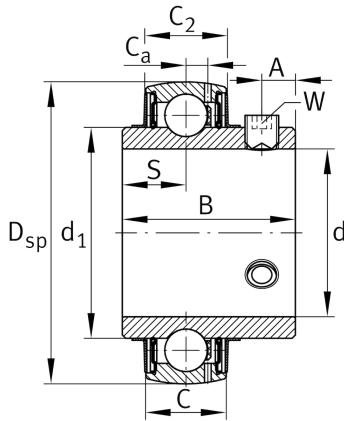


**FAG****UC218**

## Radial insert ball bearing

Schaeffler ID:  
0774269670000Radial insert ball bearings UC, spherical  
outer ring, location by grub screws, RSR  
seals on both sides

## Technical information

**Main Dimensions & Performance Data**

d	90 mm	Bore diameter
$D_{SP}$	160 mm	Outside diameter
B	96 mm	Width
$n_{G \text{ Grease}}$	4,850 1/min	Limiting speed for grease lubrication
$C_r$	102,000 N	Basic dynamic load rating, radial
$C_{0r}$	72,000 N	Basic static load rating, radial
$C_{ur}$	2,700 N	Fatigue load limit, radial
	4.08 kg	Weight

**Dimensions**

C	38 mm	Width, outer ring
$C_2$	39.4 mm	Sealing total width
S	39.7 mm	Distance raceway
$d_1$	109.4 mm	Rib diameter inner ring
$C_a$	11 mm	Distance to lubrication hole
A	15 mm	Distance thread
W	6 mm	Width of flats

**Calculation factors**

$f_0$	14.6	Calculation factor
-------	------	--------------------