



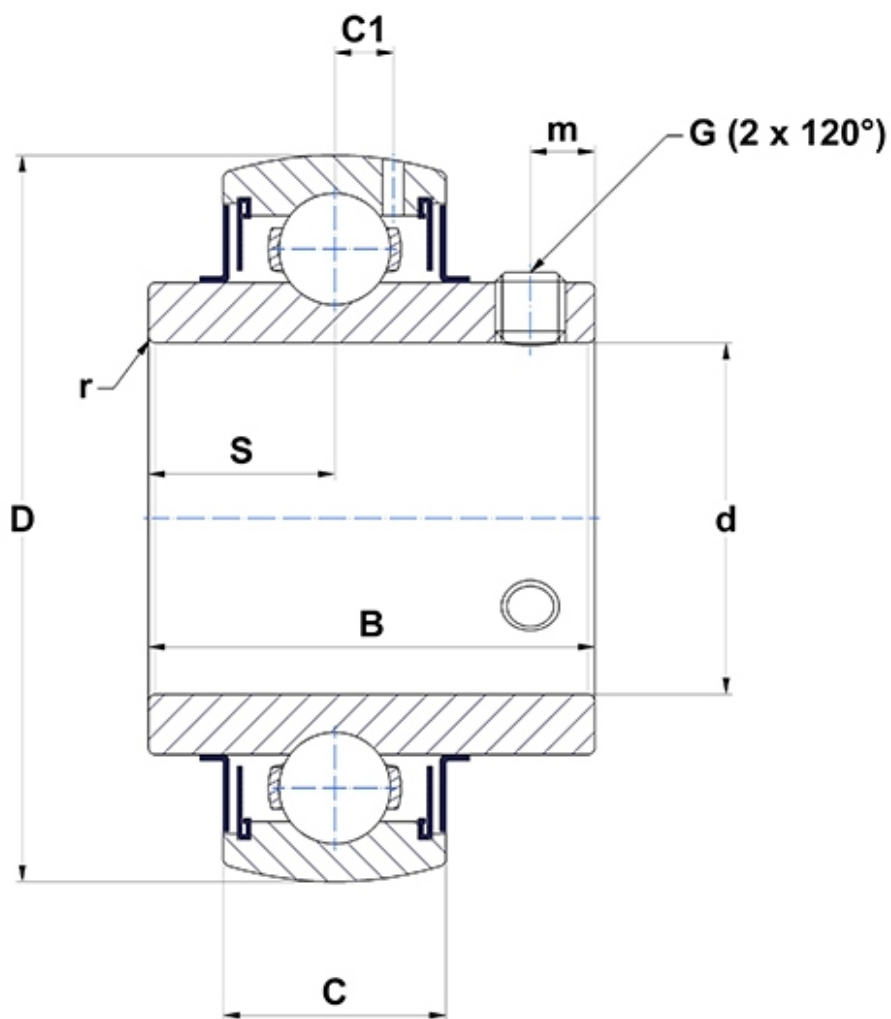
Technical data

UC208G2T20

Insert bearings

spherical outer diameter, fixing by socket set screw, labyrinth seal, for high-temp. applications

Visual(s)



Product definition

B	49.2 mm
C	21 mm
C1	6.3 mm
d	40 mm
D	80 mm
G	M8x1
m	8 mm
r	1.1
S	19 mm
SW	4 mm

Product performance

C	29.6 kN
C0	18.2 kN
T min.	-20 °C
T max.	200 °C

Other features

Weight	0.64 kg
Recommended tightening torque for set screw	11.5 Nm