



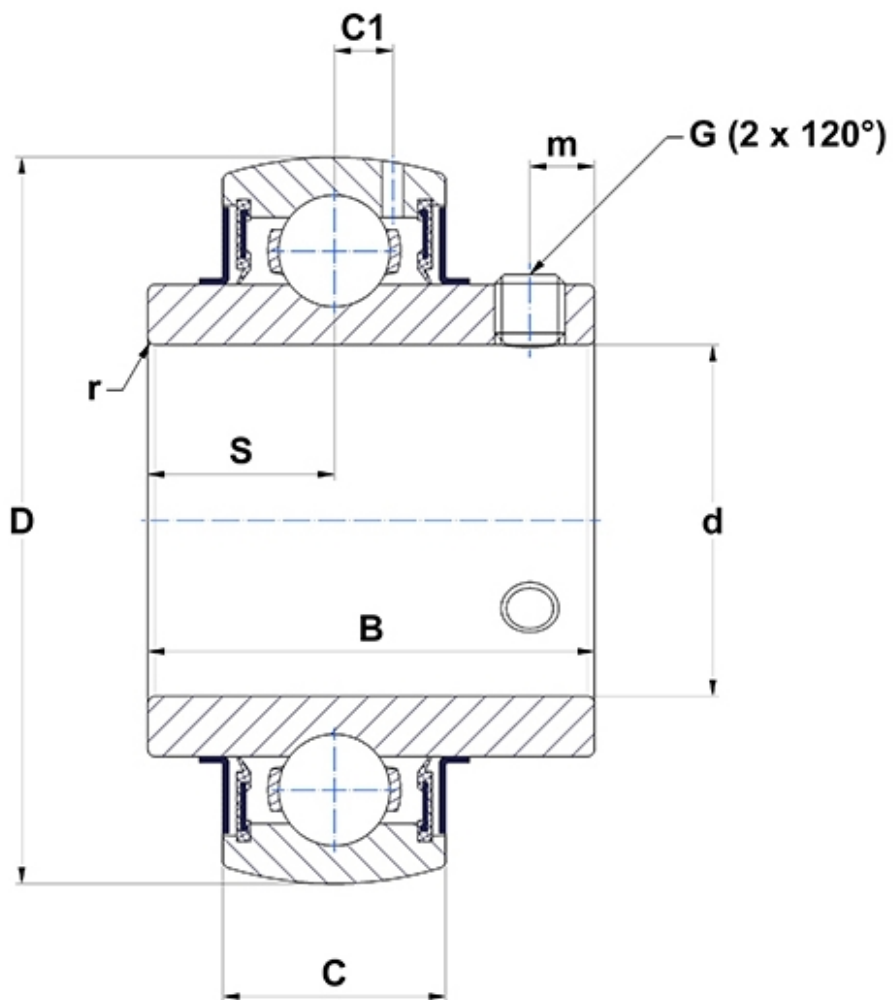
Technical data

UC.212-39.G2

Insert bearings

spherical outer diameter, fixing by socket set screw, seal with slinger

Visual(s)



Product definition

| | |
|-----------|-----------|
| B | 65.1 mm |
| C | 27 mm |
| C1 | 8.2 mm |
| d | 61.91 mm |
| D | 110 mm |
| G | 3/8-24UNF |
| m | 10.5 mm |
| r | 1.1 |
| S | 25.4 mm |
| SW | 4.76 mm |

Product performance

| | |
|---------------|---------|
| C | 52.5 kN |
| C0 | 32.8 kN |
| T min. | -20 °C |
| T max. | 100 °C |

Other features

| | |
|--|---------|
| Weight | 1.45 kg |
| Recommended tightening torque for set screw | 16.8 Nm |