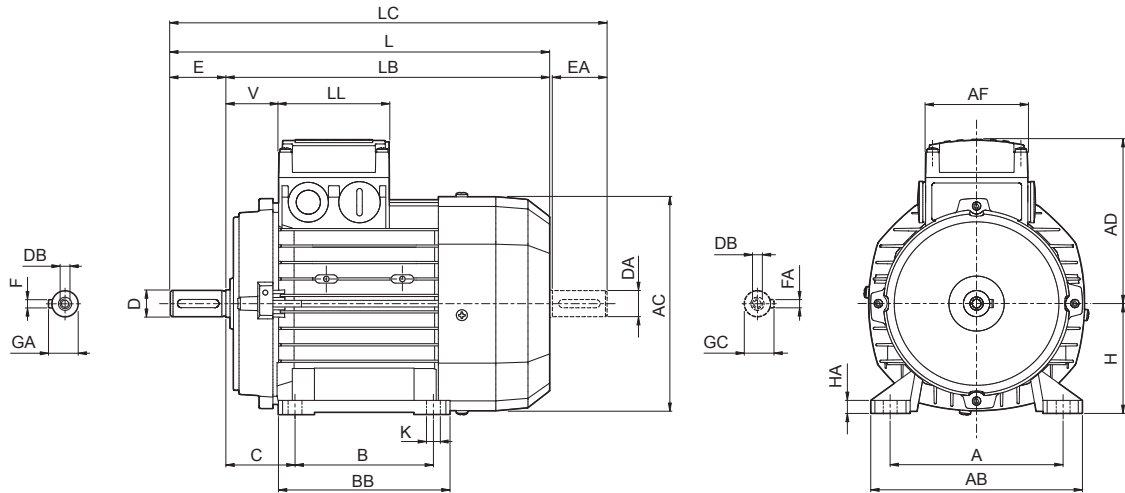


18 MOTORS DIMENSIONS BN

BN - IM B3



BN

	Shaft					Housing						Motor									
	D DA	E EA	DB	GA GC	F FA	B	A	HA	BB	AB	K	C	H	AC	L	LB	LC	AD	AF	LL	V
BN 63	11	23	M4	12.5	4	80	100	8	96	120	7	40	63	121	207	184	232	95	74	80	30
BN 71	14	30	M5	16	5	90	112	8	112	135		45	71	138	249	219	281	108			
BN 80	19	40	M6	21.5	6	100	125	8	124	153		50	80	156	273	233	315	119			
BN 90 S	24	50	M8	27	8	125	140	8	155	174	10	56	90	176	326	276	378	133	98	98	44
BN 90 L							192					63									
BN 100	28	60	M10	31	8	140	160	10	175	224	12	63	112	219	385	325	448	157	118	118	58
BN 112							190					70									
BN 132 S	38	80	M12	41	10	178	216	12	218	254	14	89	132	260	493	413	576	193	187	187	52
BN 132 M							254					121									
BN 160 M	42	110	M16	45	12	210	25	264	319	14.5	108	160	310	596	486	680	245	187	187	51	
BN 160 L	38 ⁽¹⁾					80 ⁽¹⁾															M12 ⁽¹⁾
BN 180 L	48	110	M16	51.5	14	279	279	329	359	14	121	180	348	708	598	823	261	187	187	52	
BN 200 L	42 ⁽¹⁾																				110 ⁽¹⁾

NOTE:

1) These values refer to the rear shaft end.