


**NTN BEARING CORPORATION OF AMERICA**

Head Office

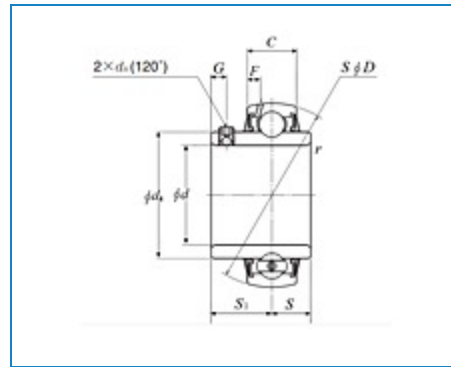
1600 E. Bishop Court, P.O. Box 7604

Mount Prospect, IL 60056-7604, U.S.A.

**Phone:** 847-298-7500

**Fax:** 847-699-9744

**Toll Free:** 800-323-2358

**Email:** [mkt@ntnamerica.com](mailto:mkt@ntnamerica.com)
**Website:** [www.ntnamericas.com](http://www.ntnamericas.com)
**Item # SUC210, Stainless Steel Bearing Insert w/ Set Screw - SUC/MUC**

[Order Now](#) | [Technical Specifications](#) | [Dimensional Specifications](#)
**Order Now**
**Ordering Options**

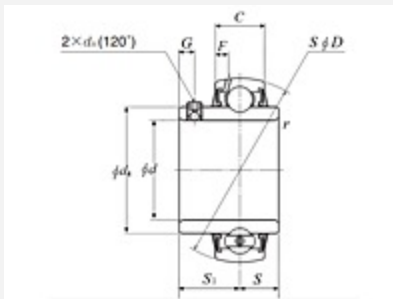
[Order Online through NTN DOL](#)  
[Contact NTN Customer Relations](#)  
[Search for a Licensed Distributor](#)

**Technical Specifications**

<b>Type</b>	Insert Bearing
<b>Bore Type</b>	Round
<b>Bearing Type</b>	Ball Bearing
<b>Material</b>	Stainless Steel
<b>Limiting Speed - Grease</b>	3000 RPM

<b>Seal Type</b>	Contact
<b>Seal Material</b>	Nitrile Rubber
<b>Precision Rating</b>	ISO Class 0
<b>Performance</b>	Standard Duty
<b>Locking Device</b>	Set Screw
<b>Lubrication</b>	Non-Relubricatable
<b>Basic Outer Ring</b>	210
<b>Static Load Rating</b>	5350 lbf 23700 N 23.70 kN
<b>Dynamic Load Rating</b>	6200 lbf 27500 N 27.50 kN
<b>Enclosure</b>	Double Sealed
<b>Operating Temperature Range</b>	-40 to 250 °F -40 to 120 °C

## Dimensional Specifications



Stainless Steel Bearing Insert w/ Set Screw - SUC/MUC - Dimensions

<b>d</b>	1.9685 in 50.000 mm
<b>D</b>	3.5433 in 90.000 mm
<b>C</b>	0.9449 in 24.000 mm

24.000 mm

**B**2.0315 in  
51.600 mm**r**0.0394 in  
1.000 mm**ds**

M10x1.25

**G**0.3937 in  
10.000 mm**S1**1.2835 in  
32.600 mm**S**0.7480 in  
19.000 mm