

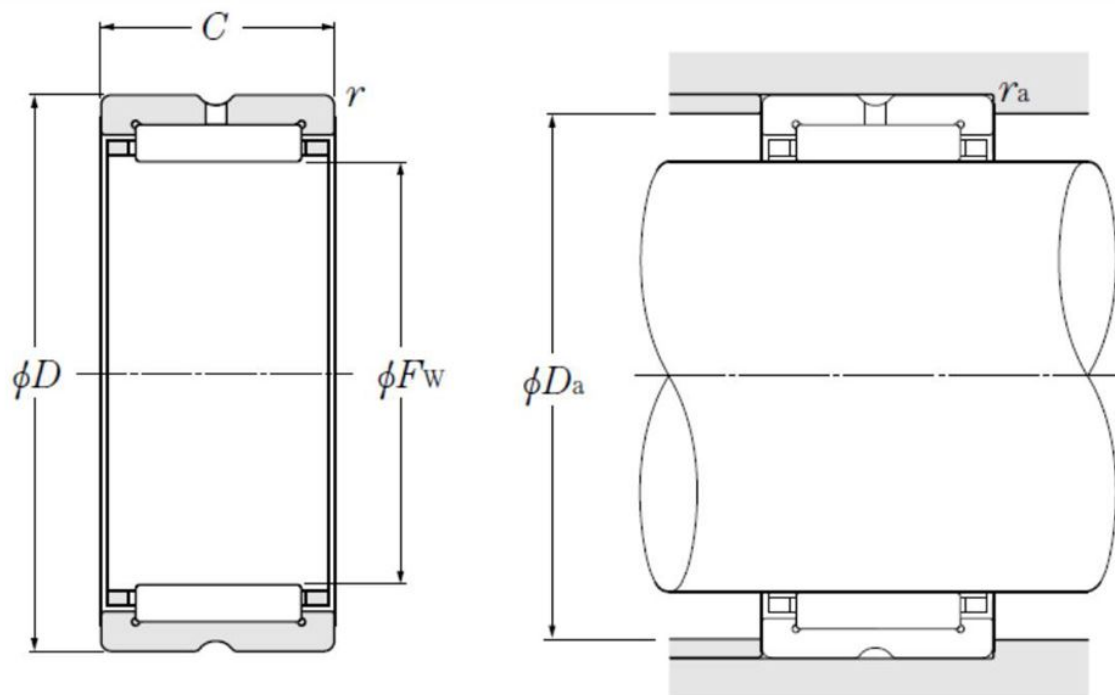
Technical data

RNA6903R

Needle roller bearing, machined-ring, without inner ring

Needle roller bearing, machined-ring, without inner ring, double-side ribs, lubrication hole

Visual(s)



Product definition

Fw	22 mm
D	30 mm
C	23 mm
rs min	0.3 mm
Dw	2.5 mm
Lw	17.8 mm
Lubrication hole on outer ring	Oui/Yes
k	2.5 mm
Radial clearance class	CN
Precision class	P0
Mass	0.04 kg
Brand	NTN

Product performance

Cr	18.2 kN
C0r	27.2 kN
Nlim (grease)	12,000 Tr/min
Nlim (oil)	18,000 Tr/min
Min operating temperature, Tmin	-20 °C
Max operating temperature, Tmax	120 °C
Characteristic cage frequency, FTF	0.45 Hz
Characteristic rolling element frequency, BSF	9.7 Hz
Characteristic outer ring frequency, BPF0	7.63 Hz
Characteristic inner ring frequency, BPFI	9.37 Hz

Abutment dimensions

Da max	28 mm
ras max	0.3 mm