



RME60-XL-N

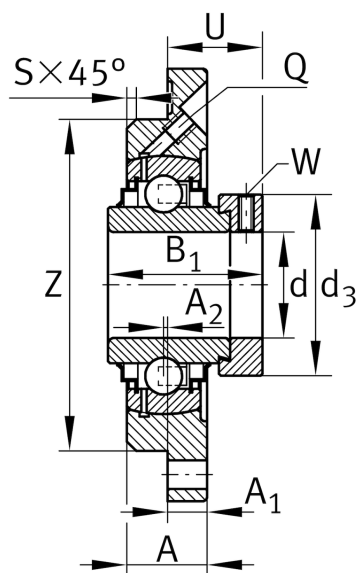
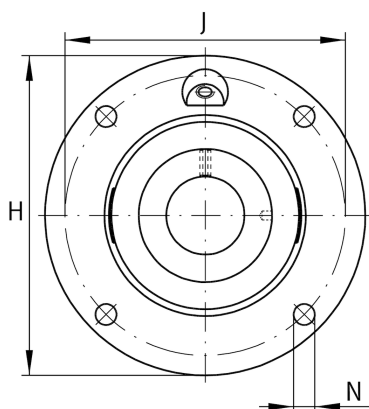
Flanged housing unit

Schaeffler ID:
0096432220000

Housing units RME, four-bolt flanged housing units, cast iron, centring spigot, eccentric locking collar, R seals

X-life

Technical information



Main Dimensions & Performance Data

d	60 mm	Bore diameter
H	195 mm	Height flange
B ₁	77,9 mm	Locking collar total width
U	45,9 mm	Total height unit
C _r	56.000 N	Basic dynamic load rating, radial
C _{0r}	36.000 N	Basic static load rating, radial
C _{ur}	1.710 N	Fatigue load limit, radial
	4,04 kg	Weight

Mounting dimensions

J	160 mm	Pitch circle diameter (holes)
N	18 mm	Fixing bore
Z	135 mm	Diameter spigot
	h8	Diameter spigot clearance
n	4	Number of screwing holes

Dimensions

A	29 mm	Height housing
	1	Number of housings
A ₁	16 mm	Thickness of flange
A ₂	1 mm	Distance raceway
	GG.ME12	Housing
	GE60-XL-KRR-B	Bearing designation
	KASK12	Protecting cap
S	3 mm	Chamfer width
Q	M6	Connection thread lubrication