



## RHE35-XL

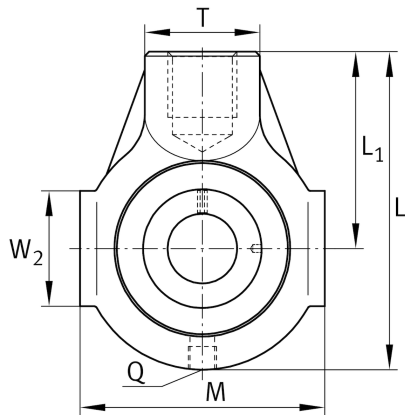
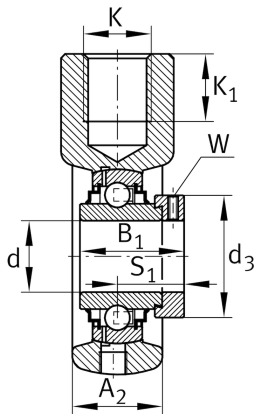
### Take-up housing unit

Schaeffler ID:  
0008407500000

Take-up housing units RHE, cast iron housing, radial insert ball bearing with eccentric locking collar, R seals

X-life

## Technical information



### Dimensions

$L_1$	76 mm	Distance shaft axis
T	40 mm	Height housing fixing side
W	49 mm	Length of guidance face
Q	M6	Connection thread lubrication
	1,38 kg	Weight

### Main Dimensions & Performance Data

d	35 mm	Bore diameter
L	122 mm	Length total
M	90 mm	Housing total width
$A_2$	32 mm	Width housing

### Mounting dimensions

K	M24	Thread fixing bore
$K_1$	24 mm	Thread depth

### Additional information

HE07	Housing
GE35-XL-KRR-B	Bearing designation