



## RCJY80-XL

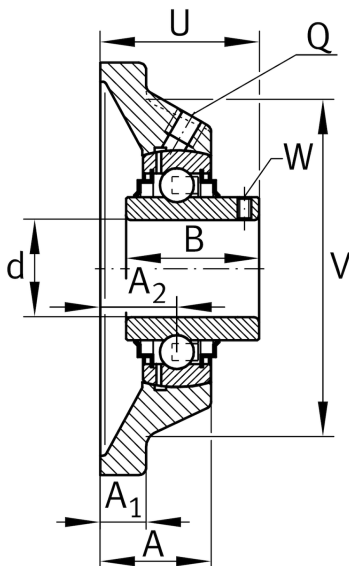
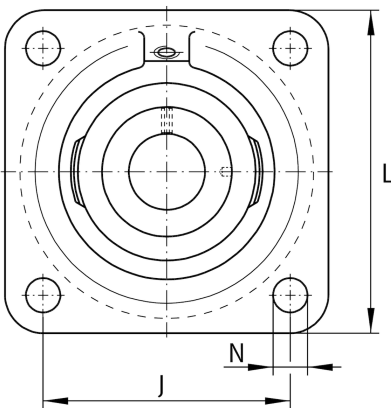
### Flanged housing unit

Schaeffler ID:  
0009596180000

Housing units RCJY, four-bolt flanged housing units, cast iron, grub screws in inner ring, R seals

X-life

### Technical information



#### Dimensions

A	55,8 mm	Height housing
A <sub>1</sub>	20 mm	Thickness of flange
A <sub>2</sub>	41,3 mm	Distance raceway
B	82,6 mm	Width
V	180 mm	Shoulder diameter housing
Q	Rp1/8	Connection thread lubrication
	6,47 kg	Weight

#### Main Dimensions & Performance Data

d	80 mm	Bore diameter
L	197 mm	Flange width
U	90,6 mm	Total height unit
C <sub>r</sub>	76.000 N	Basic dynamic load rating, radial
C <sub>0r</sub>	54.000 N	Basic static load rating, radial
C <sub>ur</sub>	2.700 N	Fatigue load limit, radial

#### Mounting dimensions

J	153 mm	Distance fixing bore
N	23 mm	Fixing bore
n	4	Number of screwing holes

#### Additional information

	1	Number of housings
	CJ16	Housing
	GYE80-XL-KRR-B	Bearing designation