



RCJY55-XL

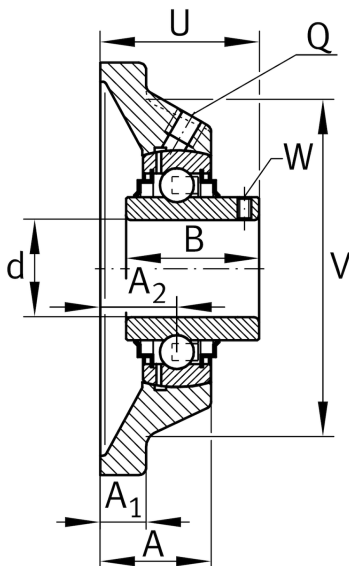
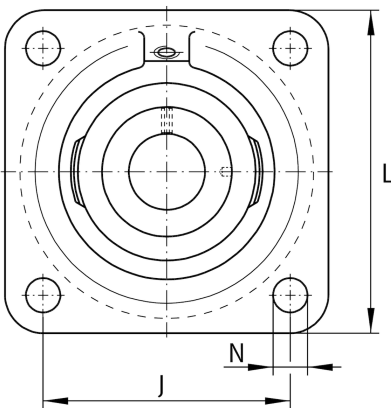
Flanged housing unit

Schaeffler ID:
0009475980000

Housing units RCJY, four-bolt flanged housing units, cast iron, grub screws in inner ring, R seals

X-life

Technical information



Dimensions

A	43,5 mm	Height housing
A ₁	15 mm	Thickness of flange
A ₂	31 mm	Distance raceway
B	55,6 mm	Width
V	140 mm	Shoulder diameter housing
Q	Rp1/8	Connection thread lubrication
	3,41 kg	Weight

Main Dimensions & Performance Data

d	55 mm	Bore diameter
L	162 mm	Flange width
U	64,4 mm	Total height unit
C _r	46.000 N	Basic dynamic load rating, radial
C _{0r}	29.000 N	Basic static load rating, radial
C _{ur}	1.520 N	Fatigue load limit, radial

Mounting dimensions

J	130 mm	Distance fixing bore
N	18 mm	Fixing bore
n	4	Number of screwing holes

Additional information

	1	Number of housings
	CJ11	Housing
	GYE55-XL-KRR-B	Bearing designation