



★ RCJY30-XL-N

Flanged housing unit

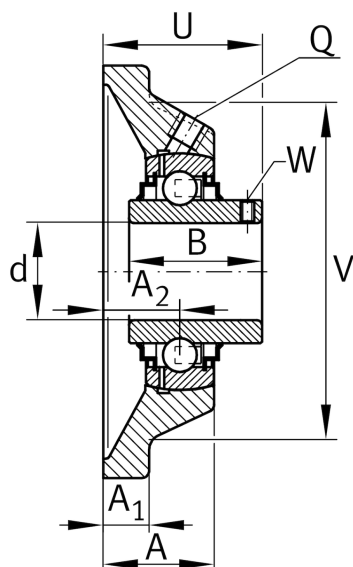
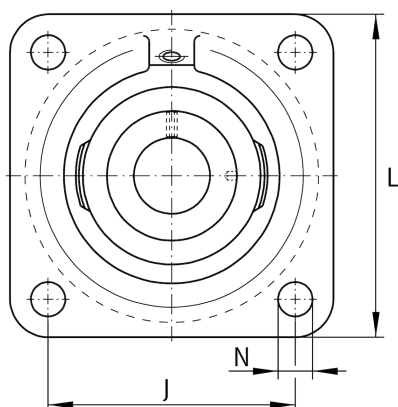
Schaeffler ID:
0008645520000

★ Preferred product

Housing units RCJY, four-bolt flanged housing units, cast iron, grub screws in inner ring, R seals

X-life

Technical information



Main Dimensions & Performance Data

d	30 mm	Bore diameter
L	108 mm	Flange width
U	42,2 mm	Total height unit
C _r	19.500 N	Basic dynamic load rating, radial
C _{0r}	11.300 N	Basic static load rating, radial
C _{ur}	480 N	Fatigue load limit, radial
	1,1 kg	Weight

Dimensions

A	29 mm	Height housing
	1	Number of housings
A ₁	12 mm	Thickness of flange
A ₂	20 mm	Distance raceway
	CJ06	Housing
	GYE30-XL-KRR-B	Bearing designation
B	38,1 mm	Width
	KASK06	Protecting cap
V	85 mm	Shoulder diameter housing
Q	M6	Connection thread lubrication

Mounting dimensions

J	82,5 mm	Distance fixing bore
N	11.5 mm	Fixing bore
n	4	Number of screwing holes