



RCJTY12-XL

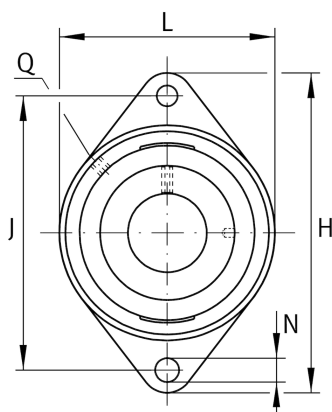
Flanged housing unit

Schaeffler ID:
0009707190000

Housing units RCJTY, two-bolt flanged housing units, cast iron, grub screws in inner ring, R seals

X-life

Technical information



Additional information

1	Number of housings
CJT03	Housing
GYE12-XL-KRR-B	Bearing designation
0,36 kg	Weight

Main Dimensions & Performance Data

d	12 mm	Bore diameter
L	57 mm	Flange width
H	99 mm	Height flange
U	32,9 mm	Total height unit
C_r	10.100 N	Basic dynamic load rating, radial
C_{0r}	4.750 N	Basic static load rating, radial
C_{ur}	248 N	Fatigue load limit, radial

Dimensions

A	25 mm	Height housing
A_1	9,5 mm	Thickness of flange
A_2	17 mm	Distance raceway
B	27,4 mm	Width
V	57 mm	Shoulder diameter housing
Q	M6	Connection thread lubrication

Mounting dimensions

J	76,5 mm	Distance fixing bore
N	11.5 mm	Fixing bore
n	2	Number of screwing holes

