



RCJT50-XL-N

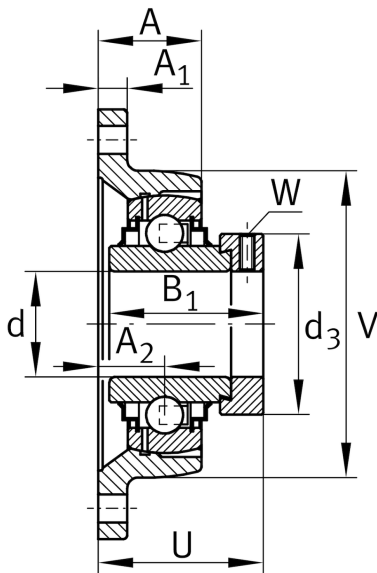
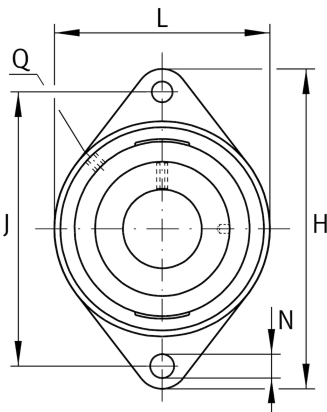
Flanged housing unit

Schaeffler ID:
0096443500000

Housing units RCJT, two-bolt flanged housing units, cast iron, eccentric locking collar, R seals

X-life

Technical information



Dimensions

A	39 mm	Height housing
A ₁	13 mm	Thickness of flange
A ₂	28 mm	Distance raceway
V	116 mm	Shoulder diameter housing
Q	Rp1/8	Connection thread lubrication
d ₃	69 mm	Outside diameter eccentric locking collar
	2,2 kg	Weight

Main Dimensions & Performance Data

d	50 mm	Bore diameter
L	116 mm	Flange width
H	190 mm	Height flange
U	66,2 mm	Total height unit
C _r	37.500 N	Basic dynamic load rating, radial
C _{0r}	23.200 N	Basic static load rating, radial
C _{ur}	1.210 N	Fatigue load limit, radial

Mounting dimensions

J	157 mm	Distance fixing bore
N	18 mm	Fixing bore
n	2	Number of screwing holes

Additional information

1	Number of housings
CJT10	Housing
GE50-XL-KRR-B	Bearing designation
KASK10	Protecting cap