



RCJT35-XL-N

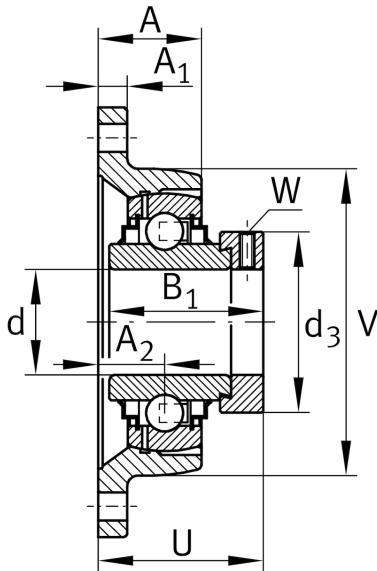
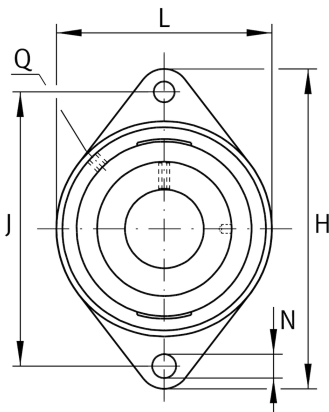
Flanged housing unit

Schaeffler ID:
0096442530000

Housing units RCJT, two-bolt flanged housing units, cast iron, eccentric locking collar, R seals

X-life

Technical information



Dimensions

A	30,5 mm	Height housing
A ₁	12,5 mm	Thickness of flange
A ₂	21 mm	Distance raceway
V	92 mm	Shoulder diameter housing
Q	M6	Connection thread lubrication
d ₃	55 mm	Outside diameter eccentric locking collar
	1,21 kg	Weight

Main Dimensions & Performance Data

d	35 mm	Bore diameter
L	92 mm	Flange width
H	155 mm	Height flange
U	53,5 mm	Total height unit
C _r	25.500 N	Basic dynamic load rating, radial
C _{0r}	15.300 N	Basic static load rating, radial
C _{ur}	800 N	Fatigue load limit, radial

Mounting dimensions

J	130 mm	Distance fixing bore
N	14 mm	Fixing bore
n	2	Number of screwing holes

Additional information

1	Number of housings
CJT07	Housing
GE35-XL-KRR-B	Bearing designation
KASK07	Protecting cap