

RASEY75-XL

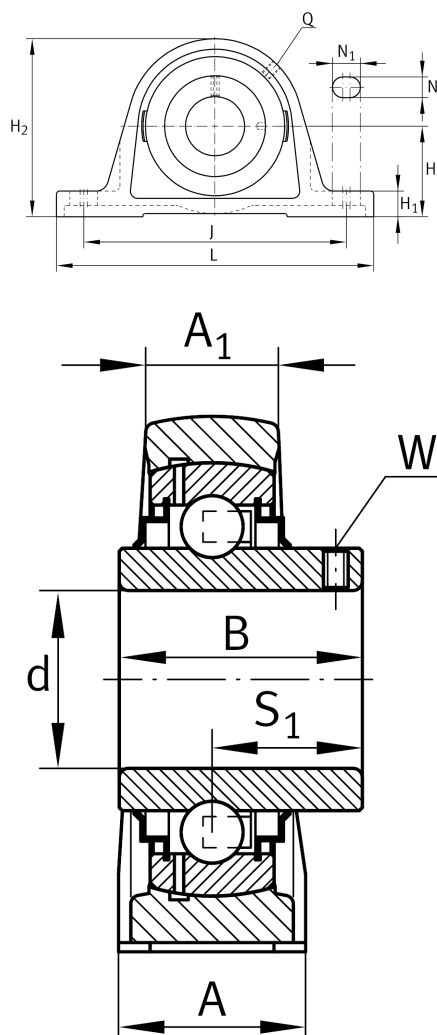
Plummer block housing unit

Schaeffler ID:
0009481520000

Plummer block housing units RASEY, cast iron housing, radial insert ball bearing with grub screws in inner ring, R seals

X-life

Technical information



Dimensions

H	82,5 mm	Distance shaft axis
A	66 mm	Width (base)
A ₁	48 mm	Width (head)
H ₁	27,5 mm	Height (base)
B	77,8 mm	Width
S ₁	44,5 mm	Distance of raceway to locking collar
Q	M6	Connection thread lubrication
	6,5 kg	Weight

Main Dimensions & Performance Data

d	75 mm	Bore diameter
L	265 mm	Length total
H ₂	164 mm	Height

Mounting dimensions

J	210 mm	Distance fixing bore
N	22 mm	Width (slot)
N ₁	30 mm	Length (slot)

Additional information

ASE15	Housing
GYE75-XL-KRR-B	Bearing designation