

## RASE30-XL-N

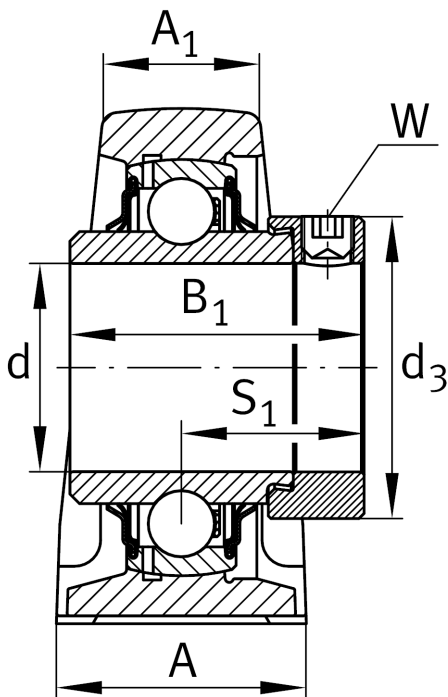
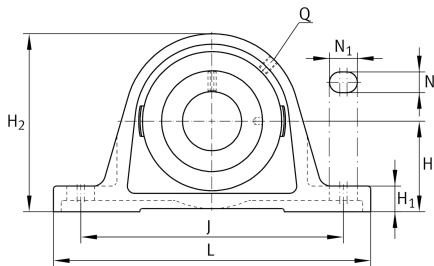
Plummer block housing unit

Schaeffler ID:  
0942911600000

Plummer block housing units RASE, cast iron housing, radial insert ball bearing with eccentric locking collar, R seals

X-life

### Technical information



### Dimensions

H	42,9 mm	Distance shaft axis
A	40 mm	Width (base)
A <sub>1</sub>	25 mm	Width (head)
H <sub>1</sub>	17 mm	Height (base)
B <sub>1</sub>	48,5 mm	Locking collar total width
S <sub>1</sub>	30,2 mm	Distance of raceway to locking collar
Q	M6	Connection thread lubrication
	1,2 kg	Weight

### Main Dimensions & Performance Data

d	30 mm	Bore diameter
L	158 mm	Length total
H <sub>2</sub>	82 mm	Height

### Mounting dimensions

J	117,5 mm	Distance fixing bore
N	14 mm	Width (slot)
N <sub>1</sub>	22 mm	Length (slot)

### Additional information

ASE06	Housing
GE30-XL-KRR-B	Bearing designation
KASK06	Protecting cap