

## RAE60-XL-NPP

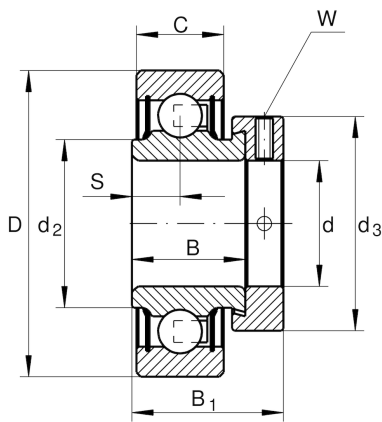
Radial insert ball bearing

Schaeffler ID:  
0008773440000

Radial insert ball bearing RAE...-XL-NPP

X-life

### Technical information



### Main Dimensions & Performance Data

d	60 mm	Bore diameter
D	110 mm	Outside diameter
B	37,1 mm	Width
B <sub>1</sub>	53,1 mm	Locking collar total width
C <sub>r</sub>	56.000 N	Basic dynamic load rating, radial
C <sub>0r</sub>	36.000 N	Basic static load rating, radial
C <sub>ur</sub>	1.870 N	Fatigue load limit, radial
	1,43 kg	Weight

### Dimensions

C	24 mm	Width, outer ring
S	13,5 mm	Distance raceway
d <sub>2</sub>	72 mm	Rib diameter sealing inner ring
d <sub>3</sub>	84 mm	Outside diameter locking collar/locknut
W	5 mm	Width of flats

### Calculation factors

f <sub>0</sub>	14,3	Calculation factor
----------------	------	--------------------