

FAG

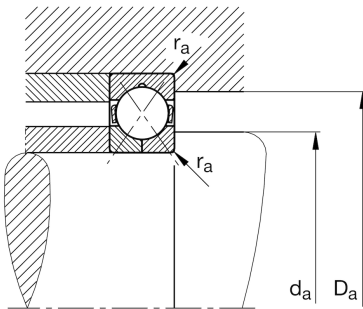
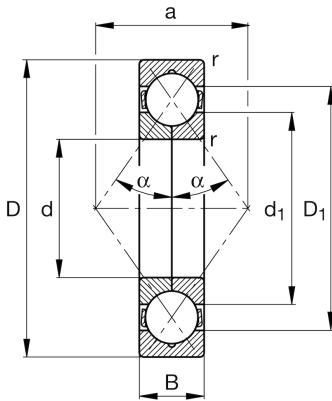
## QJ206-XL-MPA

Four-point contact bearing

Schaeffler ID:  
0167422220000Four-point contact bearing QJ2..-XL-MPA,  
inner ring split

X-life

## Technical information



## Main Dimensions &amp; Performance Data

d	30 mm	Bore diameter
D	62 mm	Outside diameter
B	16 mm	Width
$r_{\min}$	1 mm	Minimum chamfer dimension
$C_r$	37.500 N	Basic dynamic load rating, radial
$C_{0r}$	27.500 N	Basic static load rating, radial
$C_{ur}$	1.930 N	Fatigue load limit, radial
$n_G$	21.100 1/min	Limiting speed
$n_{gr}$	10.200 1/min	Reference speed
	0,24 kg	Weight

## Dimensions

$D_1$	50,7 mm	Shoulder diameter outer ring
$d_1$	40,4 mm	Shoulder diameter inner ring
a	32 mm	Distance between the apexes of the pressure cones
$\alpha$	35 °	Contact angle

## Mounting dimensions

$d_{a \min}$	36 mm	Minimum diameter shaft shoulder
$D_{a \max}$	56 mm	Maximum diameter of housing shoulder
$r_{a \max}$	1 mm	Maximum fillet radius

## Temperature range

$T_{\min}$	-30 °C	Operating temperature min.
$T_{\max}$	150 °C	Operating temperature max.