

## PHUSE30-XL

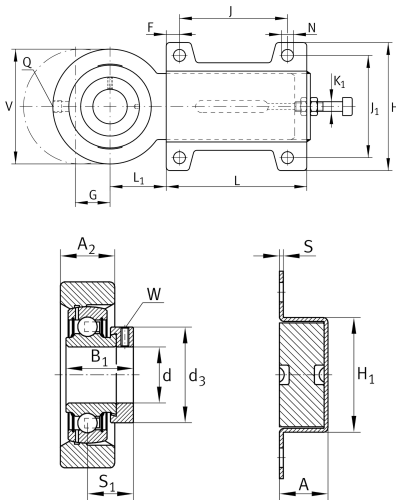
### Take-up housing unit

Schaeffler ID:  
0009649560000

Take-up housing units PHUSE, cast iron and sheet steel housing, radial insert ball bearing with eccentric locking collar, P seals

X-life

## Technical information



### Dimensions

$L_1$	50 mm	Distance shaft axis
$A_2$	22 mm	Width housing
$H_1$	52 mm	Height guidance
$K_1$	M12	Thread adjusting screw
$S$	4 mm	Thickness of flange
$F$	20 mm	Distance fixing bore outside
$G$	65 mm	Axial displacement
$Q$	M6	Connection thread lubrication
	2,55 kg	Weight

### Main Dimensions & Performance Data

$d$	30 mm	Bore diameter
$H$	103 mm	Height flange
$A$	28 mm	Height housing
$V$	88 mm	Shoulder diameter housing
$L$	187 mm	Length total
$C_{0rG}$	11.300 N	Load carrying capacity (housing)

### Mounting dimensions

$N$	11.5 mm	Fixing bore
$J$	140 mm	Distance fixing bore
$J_1$	80 mm	Bore distance width

### Additional information

HUE06	Housing
HUSE07	Housing (Part 2)
GRAE30-XL-NPP-B	Bearing designation