



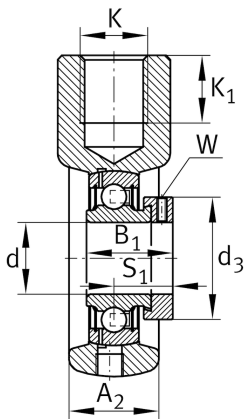
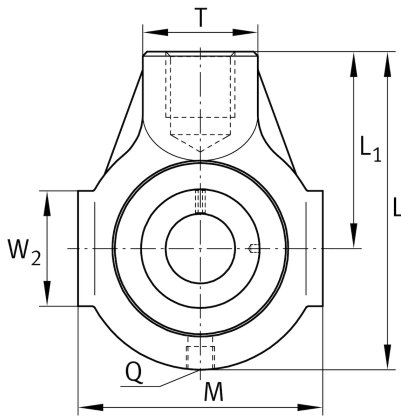
## PHE30-TV-FA125.5

### Take-up housing unit

Schaeffler ID:  
0574651260000

Take-up housing unit PHE..-TV, RIBB  
plastic

### Technical information



#### Dimensions

T	40 mm	Height (housing, mounting side)
A <sub>2</sub>	34,5 mm	Width housing
	0,69 kg	Weight

#### Main Dimensions & Performance Data

d	30 mm	Bore diameter
L	125 mm	Length
M	90 mm	Housing total width

#### Mounting dimensions

L <sub>1</sub>	76 mm	Distance shaft axis
L <sub>3</sub>	63 mm	Length guidance grooves
K	M16	Thread fixing bore
Q	1/4-28 UNF	Connection thread lubrication

#### Additional information

HE06-TV	Housing
GRAE30-NPP-B- FA107/125.5	Bearing designation
KASK06-S-G	End cap
KASK06-S-R-NBR	Open protecting cap