



PCJTY40-XL-N

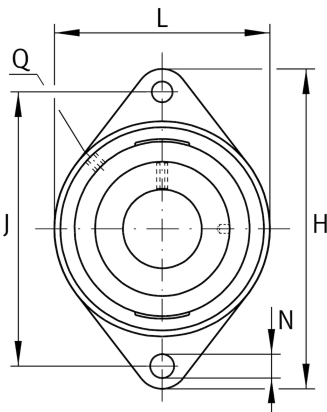
Flanged housing unit

Schaeffler ID:
0009509550000

Housing units PCJTY, two-bolt flanged housing units, cast iron, grub screws in inner ring, P seals

X-life

Technical information



Dimensions

A	34,5 mm	Height housing
A ₁	13 mm	Thickness of flange
A ₂	24 mm	Distance raceway
B	39,5 mm	Width
V	105 mm	Shoulder diameter housing
Q	Rp1/8	Connection thread lubrication
	1,4 kg	Weight

Main Dimensions & Performance Data

d	40 mm	Bore diameter
L	105 mm	Flange width
H	172 mm	Height flange
U	52,95 mm	Total height unit
C _r	34.500 N	Basic dynamic load rating, radial
C _{0r}	19.800 N	Basic static load rating, radial
C _{ur}	910 N	Fatigue load limit, radial

Mounting dimensions

J	143,5 mm	Distance fixing bore
N	14 mm	Fixing bore
n	2	Number of screwing holes

Additional information

1	Number of housings
CJT08	Housing
GAY40-XL-NPP-B	Bearing designation
KASK08	Protecting cap

