



## PCJTY35-XL-N

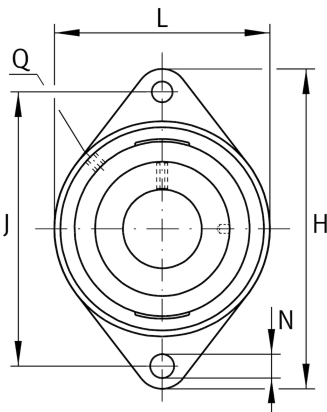
### Flanged housing unit

Schaeffler ID:  
0009509200000

Housing units PCJTY, two-bolt flanged housing units, cast iron, grub screws in inner ring, P seals

X-life

#### Technical information



#### Dimensions

A	30,5 mm	Height housing
A <sub>1</sub>	12,5 mm	Thickness of flange
A <sub>2</sub>	21 mm	Distance raceway
B	35 mm	Width
V	92 mm	Shoulder diameter housing
Q	M6	Connection thread lubrication
	1,05 kg	Weight

#### Main Dimensions & Performance Data

d	35 mm	Bore diameter
L	92 mm	Flange width
H	155 mm	Height flange
U	46,45 mm	Total height unit
C <sub>r</sub>	27.500 N	Basic dynamic load rating, radial
C <sub>0r</sub>	15.300 N	Basic static load rating, radial
C <sub>ur</sub>	800 N	Fatigue load limit, radial

#### Mounting dimensions

J	130 mm	Distance fixing bore
N	14 mm	Fixing bore
n	2	Number of screwing holes

#### Additional information

1	Number of housings
CJT07	Housing
GAY35-XL-NPP-B	Bearing designation
KASK07	Protecting cap

