



## PCJ50-XL-N

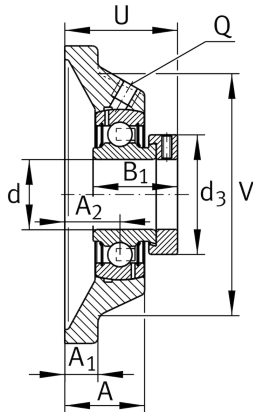
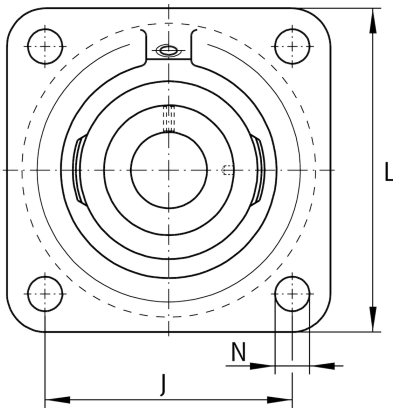
### Flanged housing unit

Schaeffler ID:  
0096410250000

Housing units PCJ, four-bolt flanged housing units, cast iron, eccentric locking collar, P seals

X-life

#### Technical information



#### Main Dimensions & Performance Data

d	50 mm	Bore diameter
L	143 mm	Flange width
U	60,8 mm	Total height unit
C <sub>r</sub>	35.000 N	Basic dynamic load rating, radial
C <sub>0r</sub>	23.200 N	Basic static load rating, radial
C <sub>ur</sub>	1.090 N	Fatigue load limit, radial
	2,38 kg	Weight

#### Mounting dimensions

J	111 mm	Distance fixing bore
N	18 mm	Fixing bore
n	4	Number of screwing holes

#### Dimensions

A	41 mm	Height housing
A <sub>1</sub>	13 mm	Thickness of flange
A <sub>2</sub>	28 mm	Distance raceway
V	119 mm	Shoulder diameter housing
Q	M6	Connection thread for lubrication
d <sub>3</sub>	69 mm	Outside diameter locking device

#### Additional information

1	Number of housings
CJ10	Housing
GRAE50-XL-NPP-B	Bearing designation
KASK10	Protecting cap

#### Temperature range

T <sub>min</sub>	-20 °C	Operating temperature min.
T <sub>max</sub>	120 °C	Operating temperature max.