



## PCJ25-XL-N

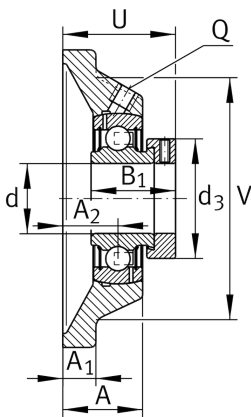
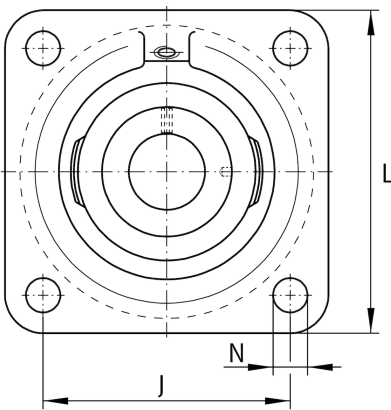
### Flanged housing unit

Schaeffler ID:  
0096409080000

Housing units PCJ, four-bolt flanged housing units, cast iron, eccentric locking collar, P seals

X-life

## Technical information



### Dimensions

A	29 mm	Height housing
A <sub>1</sub>	11 mm	Thickness of flange
A <sub>2</sub>	19 mm	Distance raceway
V	74 mm	Shoulder diameter housing
Q	M6	Connection thread lubrication
d <sub>3</sub>	37,5 mm	Outside diameter eccentric locking collar
	0,76 kg	Weight

### Main Dimensions & Performance Data

d	25 mm	Bore diameter
L	95 mm	Flange width
U	42,5 mm	Total height unit
C <sub>r</sub>	14.900 N	Basic dynamic load rating, radial
C <sub>0r</sub>	7.800 N	Basic static load rating, radial
C <sub>ur</sub>	410 N	Fatigue load limit, radial

### Mounting dimensions

J	70 mm	Distance fixing bore
N	11.5 mm	Fixing bore
n	4	Number of screwing holes

### Additional information

1	Number of housings
CJ05	Housing
GRAE25-XL-NPP-B	Bearing designation
KASK05	Protecting cap