

PASEY35-XL-N

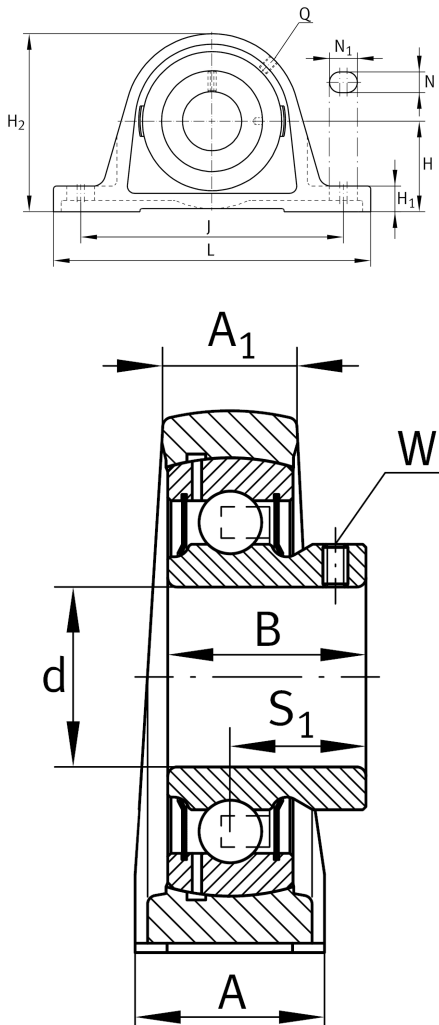
Plummer block housing unit

Schaeffler ID:
0946130100000

Plummer block housing units PASEY, cast iron housing, radial insert ball bearing with grub screws in inner ring, P seals

X-life

Technical information



Dimensions

H	47,6 mm	Distance shaft axis
A	45 mm	Width (base)
A ₁	27 mm	Width (head)
H ₁	19 mm	Height (base)
B	34,95 mm	Width
S ₁	25,45 mm	Distance of raceway to locking collar
Q	M6	Connection thread lubrication
	1,45 kg	Weight

Main Dimensions & Performance Data

d	35 mm	Bore diameter
L	163 mm	Length total
H ₂	93 mm	Height

Mounting dimensions

J	126 mm	Distance fixing bore
N	14 mm	Width (slot)
N ₁	21 mm	Length (slot)

Additional information

ASE07	Housing
GAY35-XL-NPP-B	Bearing designation
KASK07	Protecting cap