

PASEY30-XL-N

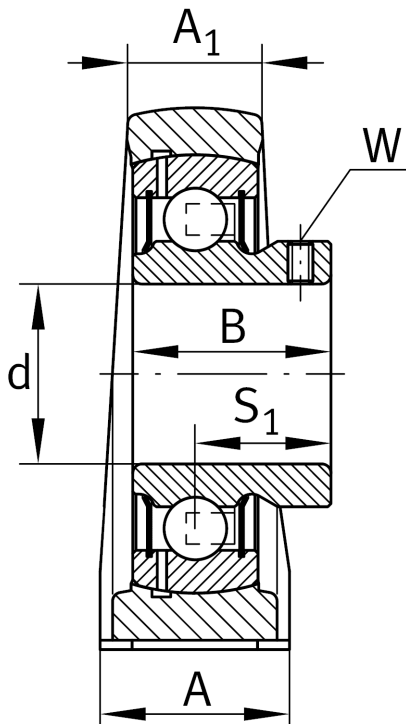
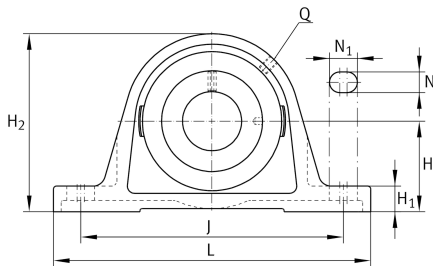
Plummer block housing unit

Schaeffler ID:
0945128840000

Plummer block housing units PASEY, cast iron housing, radial insert ball bearing with grub screws in inner ring, P seals

X-life

Technical information



Main Dimensions & Performance Data

d	30 mm	Bore diameter
L	158 mm	Length total
H ₂	82 mm	Height
	1,07 kg	Weight

Mounting dimensions

J	117,5 mm	Distance fixing bore
N	14 mm	Width (slot)
N ₁	22 mm	Length (slot)

Dimensions

H	42,9 mm	Distance shaft axis
A	40 mm	Width (base)
A ₁	25 mm	Width (head)
H ₁	17 mm	Height (base)
B	30 mm	Width
S ₁	21 mm	Distance of raceway to locking collar
Q	M6	Connection thread for lubrication

Additional information

ASE06	Housing
GAY30-XL-NPP-B	Bearing designation
KASK06	Protecting cap

Temperature range

T _{min}	-20 °C	Operating temperature min.
T _{max}	120 °C	Operating temperature max.