

## PASE40-XL-N-FA125

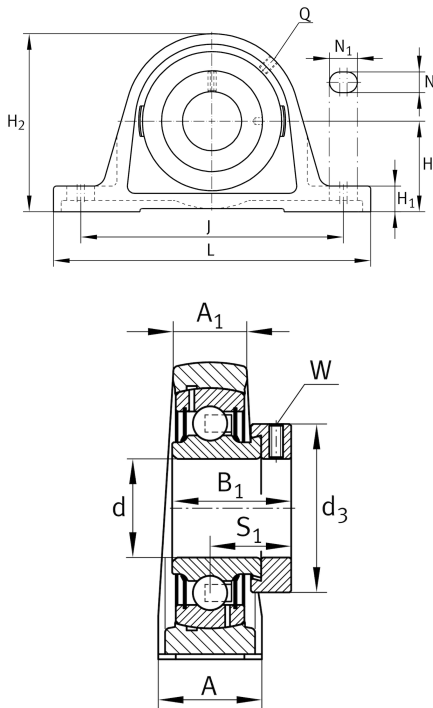
Plummer block housing unit

Schaeffler ID:  
0096328830000

Plummer block housing units PASE..-FA125, cast iron housing, radial insert ball bearing with eccentric locking collar, P seals, with anti-corrosion protection

X-life

### Technical information



#### Dimensions

H	49,2 mm	Distance shaft axis
A	48 mm	Width (base)
A <sub>1</sub>	30 mm	Width (head)
H <sub>1</sub>	19 mm	Height (base)
B <sub>1</sub>	43,8 mm	Locking collar total width
S <sub>1</sub>	32,8 mm	Distance of raceway to locking collar
Q	M6	Connection thread lubrication
	1,84 kg	Weight

#### Main Dimensions & Performance Data

d	40 mm	Bore diameter
L	179 mm	Length total
H <sub>2</sub>	99 mm	Height

#### Mounting dimensions

J	138,25 mm	Distance fixing bore
N	14 mm	Width (slot)
N <sub>1</sub>	26 mm	Length (slot)

#### Additional information

ASE08-FA125	Housing
GRAE40-XL-NPP-B-FA125	Bearing designation
KASK08	Protecting cap