

PASE35-XL-N

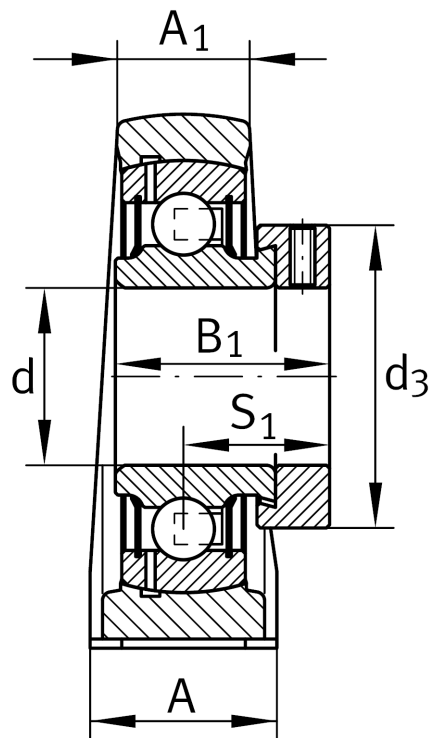
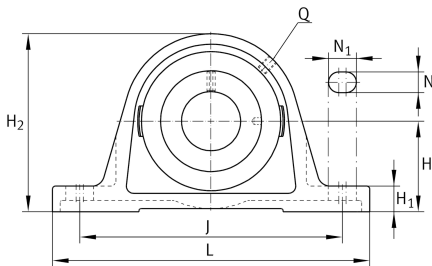
Plummer block housing unit

Schaeffler ID:
0945084290000

Plummer block housing units PASE, cast iron housing, radial insert ball bearing with eccentric locking collar, P seals

X-life

Technical information



Dimensions

H	47,6 mm	Distance shaft axis
A	45 mm	Width (base)
A ₁	27 mm	Width (head)
H ₁	19 mm	Height (base)
B ₁	39 mm	Locking collar total width
S ₁	29,5 mm	Distance of raceway to locking collar
Q	M6	Connection thread lubrication
	1,57 kg	Weight

Main Dimensions & Performance Data

d	35 mm	Bore diameter
L	163 mm	Length total
H ₂	93 mm	Height

Mounting dimensions

J	126 mm	Distance fixing bore
N	14 mm	Width (slot)
N ₁	21 mm	Length (slot)

Additional information

ASE07	Housing
GRAE35-XL-NPP-B	Bearing designation
KASK07	Protecting cap