

PASE25-XL-N

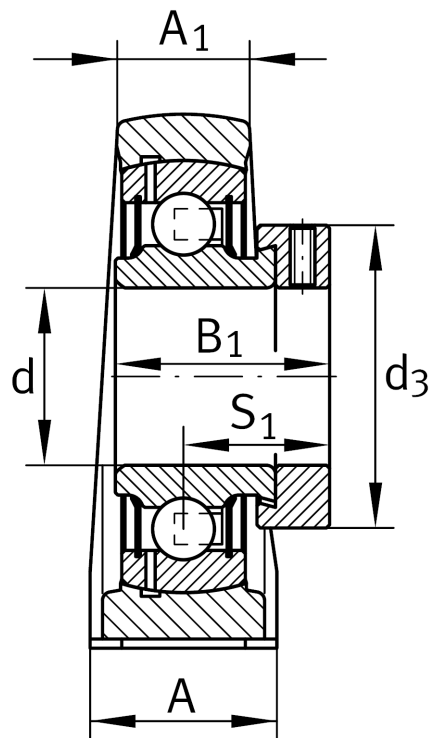
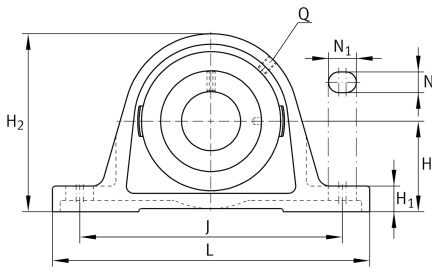
Plummer block housing unit

Schaeffler ID:
0096423150000

Plummer block housing units PASE, cast iron housing, radial insert ball bearing with eccentric locking collar, P seals

X-life

Technical information



Dimensions

H	36,5 mm	Distance shaft axis
A	36 mm	Width (base)
A ₁	21 mm	Width (head)
H ₁	14,5 mm	Height (base)
B ₁	31 mm	Locking collar total width
S ₁	23,5 mm	Distance of raceway to locking collar
Q	M6	Connection thread lubrication
	0,7 kg	Weight

Main Dimensions & Performance Data

d	25 mm	Bore diameter
L	130 mm	Length total
H ₂	70 mm	Height

Mounting dimensions

J	102,5 mm	Distance fixing bore
N	11 mm	Width (slot)
N ₁	19 mm	Length (slot)

Additional information

ASE05	Housing
GRAE25-XL-NPP-B	Bearing designation
KASK05	Protecting cap