**NKIS25-XL**

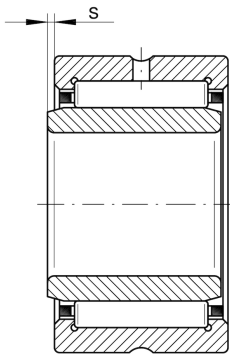
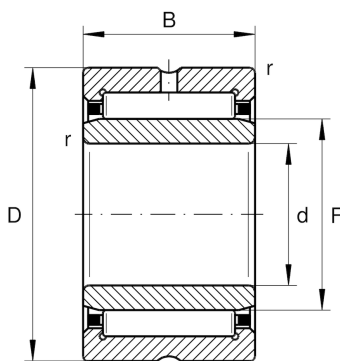
Radial roller bearing

Schaeffler ID:  
0507709850000

Needle roller bearings NKIS, heavy series

X-life

## Technical information

**Main Dimensions & Performance Data**

$F_w$	25 mm	Under roller diameter
$D$	47 mm	Outside diameter
$B$	22 mm	Width
$C_r$	38.000 N	Basic dynamic load rating, radial
$C_{0r}$	43.500 N	Basic static load rating, radial
$C_{ur}$	7.600 N	Fatigue load limit, radial
$n_G$	13.200 1/min	Limiting speed
$n_{G \text{ Grease}}$	7.900 1/min	Limiting speed for grease lubrication
$n_{gr}$	7.100 1/min	Reference speed
	0,167 kg	Weight

**Dimensions**

$r_{\min}$	0,6 mm	Minimum chamfer dimension
$F$	32 mm	Raceway diameter inner ring
$s$	1 mm	Axial displacement

**Temperature range**

$T_{\min}$	-30 °C	Operating temperature min.
$T_{\max}$	120 °C	Operating temperature max.