



FAG

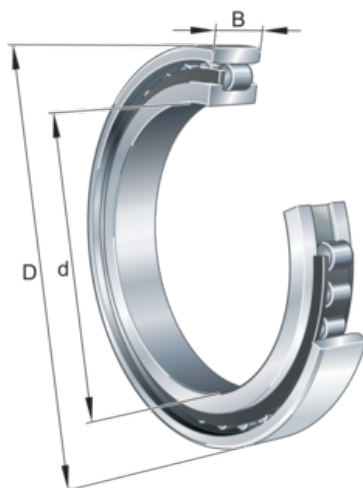
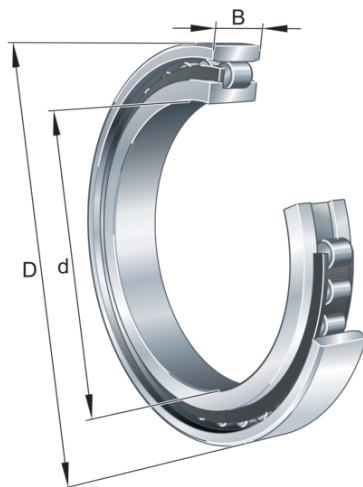
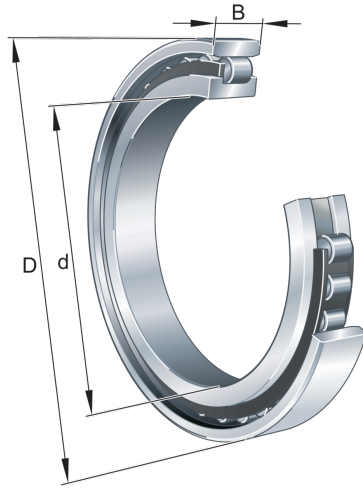
N312-E-XL-TVP2

Cylindrical roller bearing

Schaeffler ID:
0192185750000

Cylindrical roller bearing N3..-E-TVP2, with cage, single row, non-locating bearing, 0 ribs on outer ring, 2 rib on inner ring, type N3

Technical information

**Main Dimensions & Performance Data**

d	60 mm	Bore diameter
D	130 mm	Outside diameter
B	31 mm	Width
C_r	177.000 N	Basic dynamic load rating, radial
C_{0r}	157.000 N	Basic static load rating, radial
C_{ur}	29.000 N	Fatigue load limit, radial
$n_{G \text{ Grease}}$	5.500 1/min	Limiting speed for grease lubrication
n_G	6.500 1/min	Limiting speed
$n_{G \text{ Oil}}$	6.500 1/min	Limiting speed for oil lubrication
n_{gr}	5.200 1/min	Reference speed
	1,78 kg	Weight

Dimensions

$r_{1 \text{ min}}$	2,1 mm	Minimum chamfer dimension
E	115 mm	Raceway diameter outer ring
s_1	1,9 mm	Axial displacement
d_1	84,4 mm	Rib diameter inner ring

Mounting dimensions

$d_{a \text{ min}}$	72 mm	Minimum diameter shaft shoulder
$D_{a \text{ max}}$	118 mm	Maximum diameter of housing shoulder
$D_{b \text{ min}}$	116 mm	Minimum diameter of housing shoulder

Temperature range

T_{min}	-30 °C	Operating temperature min.
T_{max}	120 °C	Operating temperature max.

