

LR5208-2Z-TVH-XL

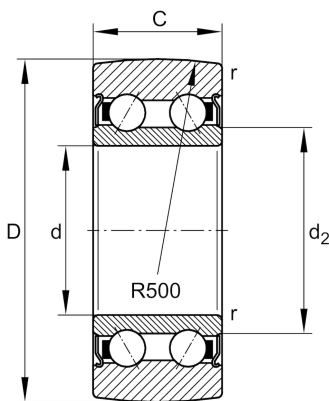
Track roller

Schaeffler ID:
0827667890000

Track roller LR..-2Z-TVH-XL, two-row, no plastic tyre

X-life

Technical information



Main Dimensions & Performance Data

D	85 mm	Outside diameter
d	40 mm	Bore diameter
C	30,2 mm	Height
$C_{r w}$	36.500 N	Basic dynamic load rating, radial
$C_{0r w}$	31.000 N	Basic static load rating, radial
$C_{ur w}$	1.640 N	Fatigue load limit, radial
n_{DG}	4.100 1/min	Speed on permanent grease lubrication
$F_{r per}$	16.300 N	Permissible dynamic load outer ring, radial
	0,75 kg	Weight

Dimensions

d_2	52,8 mm	Diameter of thrust washer
r_{min}	1,1 mm	Minimum chamfer dimension
R	500 mm	Radius of outer ring outside profile