

## ★ LR5201-2HRS-TVH-XL

Track roller

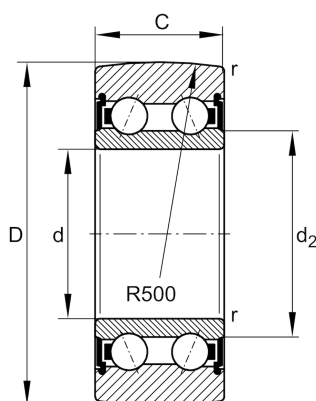
Schaeffler ID:  
0824992410000

Track roller LR...-2HRS-TVH-XL, two-row,  
no plastic tyre

★ Preferred product

X-life

### Technical information



#### Main Dimensions & Performance Data

|             |             |   |
|-------------|-------------|---|
| D           | 35 mm       | Outside diameter                            |
| d           | 12 mm       | Bore diameter                               |
| C           | 15,9 mm     | Height                                      |
| $C_{r w}$   | 8.800 N     | Basic dynamic load rating, radial           |
| $C_{0r w}$  | 6.100 N     | Basic static load rating, radial            |
| $C_{ur w}$  | 315 N       | Fatigue load limit, radial                  |
| $n_{DG}$    | 8.100 1/min | Speed on permanent grease lubrication       |
| $F_{r per}$ | 4.800 N     | Permissible dynamic load outer ring, radial |
|             | 0,08 kg     | Weight                                      |

#### Dimensions

|           |         |                                      |
|-----------|---------|--------------------------------------|
| $d_2$     | 19,1 mm | Diameter of thrust washer            |
| $r_{min}$ | 0,6 mm  | Minimum chamfer dimension            |
| R         | 500 mm  | Radius of outer ring outside profile |