

LR5200-2HRS-TVH-XL

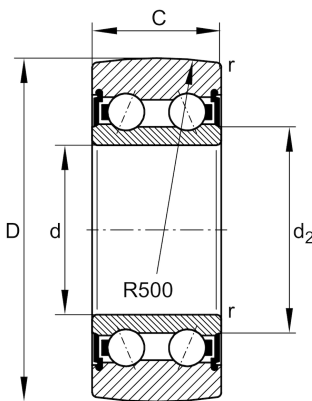
Track roller

Schaeffler ID:
0824787910000

Track roller LR..-2HRS-TVH-XL, two-row,
no plastic tyre

X-life

Technical information



Main Dimensions & Performance Data

| | | |
|-------------|-------------|---|
| D | 32 mm | Outside diameter |
| d | 10 mm | Bore diameter |
| C | 14 mm | Height |
| $C_{r w}$ | 7.200 N | Basic dynamic load rating, radial |
| $C_{0r w}$ | 4.900 N | Basic static load rating, radial |
| $C_{ur w}$ | 250 N | Fatigue load limit, radial |
| n_{DG} | 9.200 1/min | Speed on permanent grease lubrication |
| $F_{r per}$ | 4.900 N | Permissible dynamic load outer ring, radial |
| | 0,07 kg | Weight |

Dimensions

| | | |
|-----------|--------|--------------------------------------|
| d_2 | 17 mm | Diameter of thrust washer |
| r_{min} | 0,6 mm | Minimum chamfer dimension |
| R | 500 mm | Radius of outer ring outside profile |