

Ghisa EN-GJL-250 UNI EN 1561 **Cast iron** EN-GJL-250 UNI EN 1561 **Grauguss** EN-GJL-250 UNI EN 1561 **Fonte** EN-GJL-250 UNI EN 1561 **Hierro fundido** EN-GJL-250 UNI EN 1561

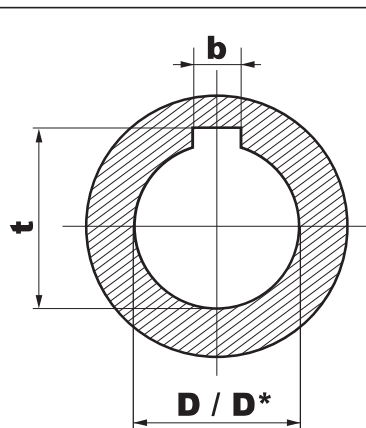
Fori standard serie metrica **Standard stock bores metric series** **Standard Lagerbohrungen metrische Reihe** **Alésages standard de stock série métrique** **Taladros standard de acopio serie métrica**

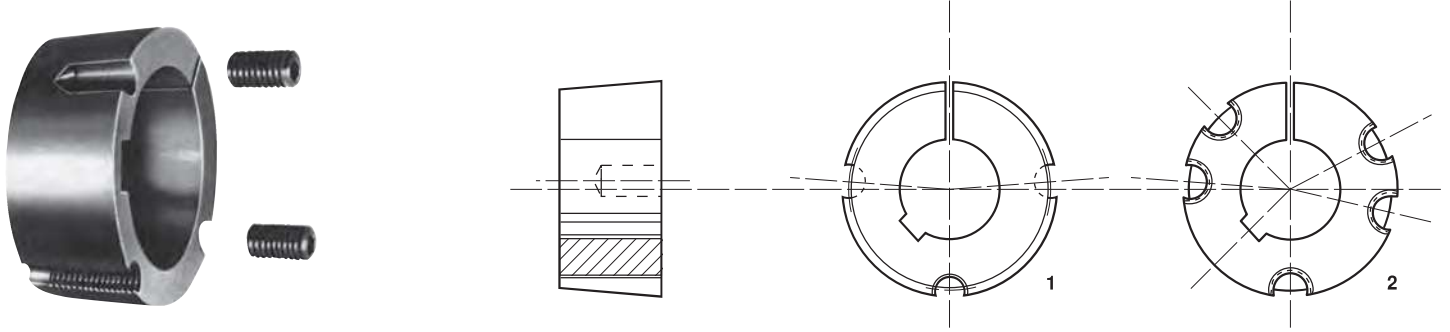
Esempio: Codice Foro in mm Ø 14 = 1615014 **Exemple:** Code symbol Bore in mm Ø 14 = 1615014 **Beispiel:** Fabriknummer Bohrung in mm Ø 14 = 1615014 **Exemple:** Code symbole Alesage en mm Ø 14 = 1615014 **Ejemplo:** Numero de fabrica Taladros en mm Ø 14 = 1615014

Tipo bussola Bush type Buchse typ Moyeux type Casquillos tipo	Cod.	Foro (ISO E 8) Bore (ISO E 8) Bohrung (ISO E 8) Alesage (ISO E 8) Taladro (ISO E 8) mm	Coppia trasmissibile Transmissible torque Haftmoment Couple transmissible Cupla de transmission Nm	Viti Screws Schraube Vis Tornillo B.S.W.	Coppia di serraggio viti Screw tightening torque Anzugsmoment Schrauben Couple de serrage des vis Par de apriete tornillos Nm	D1 mm	Tipo Type Typ Type Tipo	S mm	Peso Weight Gewicht Poids Peso Kg
1008	1008...	9 10 11 12 14 15 16 18 19 20 22 24* 25*	136	1/4" x 1/2"	5,6	35,0	1	22,3	0,16
1108	1108...	9 10 11 12 14 15 16 18 19 20 22 24 25 28*	147	1/4" x 1/2"	5,6	38,0	1	22,3	0,16
1210	1210...	11 12 14 15 16 18 19 20 22 24 25 28 30 32	407	3/8" x 5/8"	19,6	47,5	1	25,4	0,32
1215	1215...	14 19 20 24 25 28	407	3/8" x 5/8"	19,6	47,5	1	38,1	0,50
1610	1610...	14 15 16 18 19 20 22 24 25 28 30 32 35 38 40 42*	486	3/8" x 5/8"	19,6	57,0	1	25,4	0,41
1615	1615...	14 16 18 19 20 22 24 25 28 30 32 35 38 40 42*	486	3/8" x 5/8"	19,6	57,0	1	38,1	0,60
2012	2012...	14 16 18 19 20 22 24 25 28 30 32 35 38 40 42 45 48 50	808	7/16" x 7/8"	30,4	70,0	1	31,8	0,75
2517	2517...	16 18 19 20 22 24 25 28 30 32 35 38 40 42 45 48 50 55 60 65*	1310	1/2" x 1"	48	85,5	1	44,5	1,06
3020	3020...	25 28 30 32 35 38 40 42 45 48 50 55 60 65 70 75	2710	5/8" x 1"1/4	90	108,0	1	50,8	2,50
3030	3030...	35 38 40 42 45 48 50 55 60 65 70 75	2710	5/8" x 1"1/4	90	108,0	1	76,2	3,75
3525	3525...	35 38 40 42 45 48 50 55 60 65 70 75 80 85 90	5060	1/2" x 1"1/2	112	127,0	2	64,9	4,20
3535	3535...	35 38 40 42 45 48 50 55 60 65 70 75 80 85 90	5060	1/2" x 1"1/2	112	127,0	2	88,9	5,13
4030	4030...	40 42 45 48 50 55 60 65 70 75 80 85 90 100	8740	5/8" x 1"1/4	169	146,0	2	76,2	6,75
4040	4040...	40 42 45 48 50 55 60 65 70 75 80 85 90 95 100	8740	5/8" x 1"3/4	169	146,0	2	101,6	7,68
4545	4545...	55 60 65 70 75 80 85 90 95 100	12400	3/4" x 2"	192	162,0	2	115,0	10,56
5040	5040...	70 75 80 85 90 95 100 105 110 115 120 125	14200	7/8" x 2"1/4	271	177,6	2	101,6	14,20
5050	5050...	70 75 80 85 90 95 100 105 110 115 120 125	14200	7/8" x 2"1/4	271	177,6	2	127,0	15,17

Dimensioni delle cave (UNI 6604 DIN 6885) con foro standard serie metrica **Dimensions of keyways (UNI 6604 DIN 6885) with standard bore metric series** **Abmessungen der Keilnuten (UNI 6604 DIN 6885) mit Standardbohrung metrische Reihe** **Dimens. des rainures de clavette (UNI 6604 DIN 6885) dans le moyeux avec alésage stand. série métrique** **Medidas de los chaveteros (UNI 6604 DIN 6885) con agujero standard serie métrica**

D	b	Js9	t	Dimensioni delle cave Dimensions of keyways Abmessungen der Keilnuten Dimensions des rainures de clavette Medidas de los chaveteros		
D*	b	t				
Over 10 to 12	4	± 0,015	D + 1,8	24*	8	D + 1,3
» 12 » 17	5		D + 2,3			
» 17 » 22	6		D + 2,8			
» 22 » 30	8	± 0,018	D + 3,3	25*	8	D + 1,3
» 30 » 38	10		D + 3,3			
» 38 » 44	12		D + 3,8			
» 44 » 50	14	± 0,021	D + 4,3	28*	8	D + 1,3
» 50 » 58	16		D + 4,4			
» 58 » 65	18		D + 4,9			
» 65 » 75	20	± 0,026	D + 5,4	42*	12	D + 1,3
» 75 » 85	22		D + 5,4			
» 85 » 95	25		D + 6,4			
» 95 » 110	28	± 0,031	D + 7,4	65*	18	D + 2,8
» 110 » 130	32					





Ghisa EN-GJL-250 UNI EN 1561	Cast iron EN-GJL-250 UNI EN 1561	Grauguss EN-GJL-250 UNI EN 1561	Fonte EN-GJL-250 UNI EN 1561	Hierro fundido EN-GJL-250 UNI EN 1561
--	--	---	--	---

Fori standard in pollici	Standard stock bores series in inches	Standard Lagerbohrungen Reihe in Zoll	Alésages standard de stock série en pouces	Taladros standard de acopio en pulgadas
---------------------------------	--	--	---	--

Tipo bussola Bush type Buchse typ Moyeux type Casquillos tipo	Cod.	Foro in pollici (ISO E 8) Bore in inches (ISO E 8) Bohrung in Zollteilung (ISO E 8) Alésage en pouces (ISO E 8) Taladro en pulgadas (ISO E 8)
1008	1008...	3/8" - 1/2" - 5/8" - 3/4" - 7/8" - 1" *
1108	1108...	3/8" - 1/2" - 5/8" - 3/4" - 7/8" - 1" - 1 1/8"
1210	1210...	1/2" - 5/8" - 3/4" - 7/8" - 1" - 1 1/8" - 1 1/4"
1215	1215...	1/2" - 5/8" - 3/4" - 7/8" - 1" - 1 1/8" - 1 1/4"
1610	1610...	1/2" - 5/8" - 3/4" - 7/8" - 1" - 1 1/8" - 1 1/4" - 1 3/8" - 1 1/2" - 1 5/8"
1615	1615...	1/2" - 5/8" - 3/4" - 7/8" - 1" - 1 1/8" - 1 1/4" - 1 3/8" - 1 1/2" - 1 5/8"
2012	2012...	3/4" - 7/8" - 1" - 1 1/8" - 1 1/4" - 1 3/8" - 1 1/2" - 1 5/8" - 1 3/4" - 1 7/8" - 2"
2517	2517...	3/4" - 7/8" - 1" - 1 1/8" - 1 1/4" - 1 3/8" - 1 1/2" - 1 5/8" - 1 3/4" - 1 7/8" - 2" - 2 1/8" - 2 1/4" - 2 3/8" - 2 1/2"
3020	3020...	1 1/4" - 1 3/8" - 1 1/2" - 1 5/8" - 1 3/4" - 1 7/8" - 2" - 2 1/8" - 2 1/4" - 2 3/8" - 2 1/2" - 2 5/8" - 2 3/4" - 2 7/8" - 3"
3030	3030...	1 1/4" - 1 3/8" - 1 1/2" - 1 5/8" - 1 3/4" - 1 7/8" - 2" - 2 1/8" - 2 1/4" - 2 3/8" - 2 1/2" - 2 5/8" - 2 3/4" - 2 7/8" - 3"
3525	3525...	1 1/2" - 1 5/8" - 1 3/4" - 1 7/8" - 2" - 2 1/8" - 2 1/4" - 2 3/8" - 2 1/2" - 2 5/8" - 2 3/4" - 2 7/8" - 3" - 3 1/8" - 3 1/4" - 3 3/8" - 3 1/2"
3535	3535...	1 1/2" - 1 5/8" - 1 3/4" - 1 7/8" - 2" - 2 1/8" - 2 1/4" - 2 3/8" - 2 1/2" - 2 5/8" - 2 3/4" - 2 7/8" - 3" - 3 1/8" - 3 1/4" - 3 3/8" - 3 1/2"
4030	4030...	1 3/4" - 1 7/8" - 2" - 2 1/8" - 2 1/4" - 2 3/8" - 2 1/2" - 2 5/8" - 2 3/4" - 2 7/8" - 3" - 3 1/8" - 3 1/4" - 3 3/8" - 3 1/2" - 3 3/4" - 4"
4040	4040...	1 3/4" - 1 7/8" - 2" - 2 1/8" - 2 1/4" - 2 3/8" - 2 1/2" - 2 5/8" - 2 3/4" - 2 7/8" - 3" - 3 1/8" - 3 1/4" - 3 3/8" - 3 1/2" - 3 3/4" - 4"
4545	4545...	2 1/4" - 2 3/8" - 2 1/2" - 2 5/8" - 2 3/4" - 2 7/8" - 3" - 3 1/8" - 3 1/4" - 3 3/8" - 3 1/2" - 3 3/4" - 4" - 4 1/4" - 4 1/2"
5040	5040...	2 3/4" - 2 7/8" - 3" - 3 1/8" - 3 1/4" - 3 3/8" - 3 1/2" - 3 3/4" - 4" - 4 1/4" - 4 1/2" - 4 3/4" - 5"
5050	5050...	2 3/4" - 2 7/8" - 3" - 3 1/8" - 3 1/4" - 3 3/8" - 3 1/2" - 3 3/4" - 4" - 4 1/4" - 4 1/2" - 4 3/4" - 5"

Dimensioni delle cave (B.S. 46: part. 1: 1958) con fori in pollici

Dimensions of keyways (B.S. 46: part. 1: 1958) with standard bores in inches

Abmessungen der Keilnuten (B.S. 46: part. 1: 1958) mit Standardbohrung in Zoll

Dimensions des rainures des clavettes (B.S. 46: part. 1: 1958) dans le moyeux avec alésage standard série in pouces

Medidas de los chaveteros (B.S. 46: part. 1: 1958) en los casquillos con taladro standard en pulgadas

D		b	t		Dimensioni delle cave Dimensions of keyways Abmessungen der Keilnuten Dimensions des rainures de clavette Medidas de los chaveteros		
OVER	TO				D*	b	t
1/4"	1/2"	1/8"	D + 1/16"		1" *	1/4"	D + 1/16"
1/2"	3/4"	3/16"	D + 3/32"		1 1/8" *	5/16"	D + 5/64"
3/4"	1"	1/4"	D + 1/8"		1 5/8" *	7/16"	D + 1/8"
1"	1 1/4"	5/16"	D + 1/8"				
1 1/4"	1 1/2"	3/8"	D + 1/8"				
1 1/2"	1 3/4"	7/16"	D + 5/32"				
1 3/4"	2"	1/2"	D + 5/32"				
2"	2 1/2"	5/8"	D + 7/32"				
2 1/2"	3"	3/4"	D + 1/4"				
3"	3 1/2"	7/8"	D + 5/16"				
3 1/2"	4"	1"	D + 3/8"				
4"	5"	1 1/4"	D + 7/16"				
5"	6"	1 1/2"	D + 1/2"				
6"	7"	1 3/4"	D + 5/8"				