


NTN BEARING CORPORATION OF AMERICA

Head Office

1600 E. Bishop Court, P.O. Box 7604

Mount Prospect, IL 60056-7604, U.S.A.

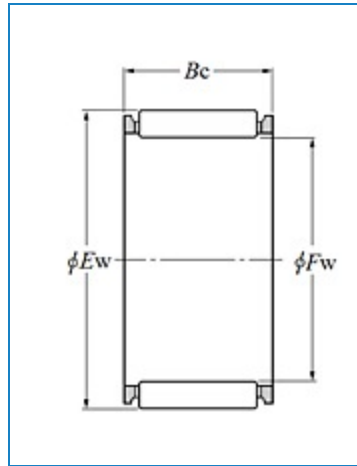
Phone: 847-298-7500

Fax: 847-699-9744

Toll Free: 800-323-2358

Email: mkt@ntnamerica.com
Website: www.ntnamericas.com

Item # K70X78X30, Needle Roller and Cage Assembly


[Order Now](#) | [Technical Specifications](#) | [Dimensional Specifications](#)

Order Now

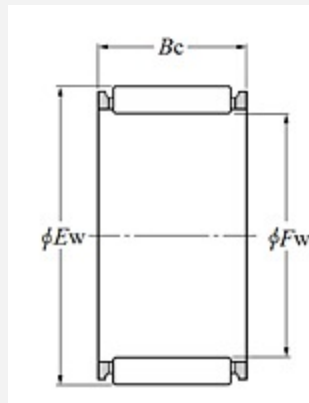
[Ordering Options](#)
[Contact NTN Customer Relations](#)

Technical Specifications

Type	Needle and Cage
Material	High Carbon Chrome Steel
Cage Material	Steel
Limiting Speed - Oil	5500 RPM
Limiting Speed - Grease	3700 RPM

Enclosure	Open
Precision	ISO Class 0
Static Load Rating	33500 lbf 149000 N
Dynamic Load Rating	14700 lbf 65500 N
Weight	0.300 lb 0.136 kg

Dimensional Specifications



Needle Roller and Cage Assembly - Dimensions

Fw	2.7559 in 70.000 mm
Ew	3.0709 in 78.000 mm
Bc	1.1811 in 30.000 mm
Bc Tolerance	-0.2/-0.55