


**NTN BEARING CORPORATION OF AMERICA**

Head Office

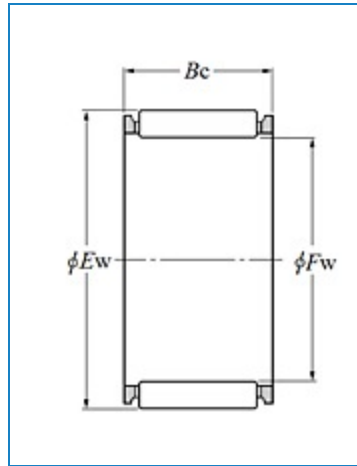
1600 E. Bishop Court, P.O. Box 7604

Mount Prospect, IL 60056-7604, U.S.A.

**Phone:** 847-298-7500

**Fax:** 847-699-9744

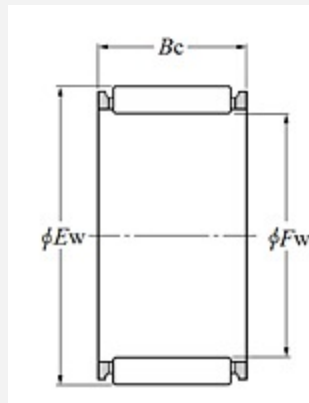
**Toll Free:** 800-323-2358

**Email:** [mkt@ntnamerica.com](mailto:mkt@ntnamerica.com)
**Website:** [www.ntnamericas.com](http://www.ntnamericas.com)
**Item # K105X113X30, Needle Roller and Cage Assembly**

[Order Now](#) | [Technical Specifications](#) | [Dimensional Specifications](#)
**Order Now**
[Ordering Options](#)
[Contact NTN Customer Relations](#)
**Technical Specifications**

<b>Type</b>	Needle and Cage
<b>Material</b>	High Carbon Chrome Steel
<b>Cage Material</b>	Steel
<b>Limiting Speed - Oil</b>	3800 RPM
<b>Limiting Speed - Grease</b>	2500 RPM

<b>Enclosure</b>	Open
<b>Precision</b>	ISO Class 0
<b>Static Load Rating</b>	47000 lbf 210000 N
<b>Dynamic Load Rating</b>	17400 lbf 77500 N
<b>Weight</b>	0.437 lb 0.198 kg

## Dimensional Specifications



Needle Roller and Cage Assembly - Dimensions

<b>Fw</b>	4.1339 in 105.000 mm
<b>Ew</b>	4.4488 in 113.000 mm
<b>Bc</b>	1.1811 in 30.000 mm
<b>Bc Tolerance</b>	-0.3/-0.65