

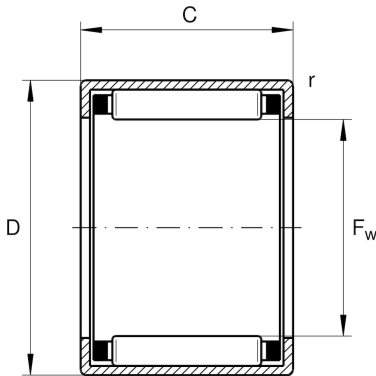
HK3520

Drawn cup needle roller bearing open end

Schaeffler ID:
0068100040000

Drawn cup needle roller bearings with open ends HK, to DIN 618/ISO 3245

Technical information



Main Dimensions & Performance Data

F_w	35 mm	Under roller diameter
D	42 mm	Outside diameter
C	20 mm	Width
C_r	23.800 N	Basic dynamic load rating, radial
C_{0r}	46.000 N	Basic static load rating, radial
C_{ur}	6.000 N	Fatigue load limit, radial
n_G	7.500 1/min	Limiting speed
$n_{G \text{ Grease}}$	4.500 1/min	Limiting speed for grease lubrication
n_{gr}	5.500 1/min	Reference speed
	44,1 g	Weight

Dimensions

C_1	20 mm	Width, outer ring
r_{min}	0,8 mm	Minimum chamfer dimension

Temperature range

T_{min}	-30 °C	Operating temperature min.
T_{max}	140 °C	Operating temperature max.

Additional information

SD35X42X4	Sealing ring
G35X42X4	Sealing ring 2
LR30X35X20,5	Suitable inner rings LR
IR30X35X20-XL	Suitable inner rings IR