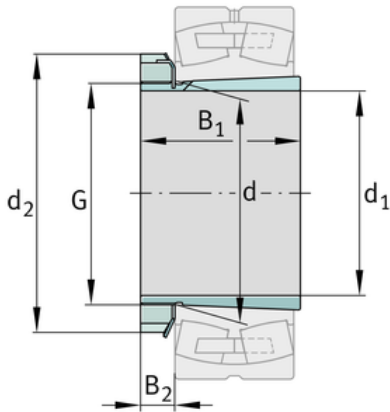
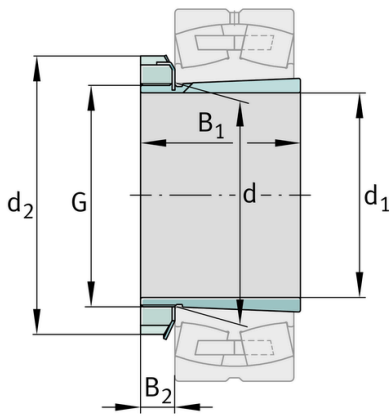
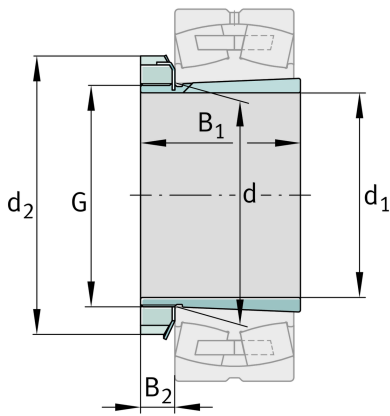
**FAG****H320**

## Adapter sleeve

Schaeffler ID:  
0167313100000Adapter sleeve H, accessory rolling  
bearing, complete, mechanical, FP

## Technical information

**Dimensions**

d	100 mm	Bore diameter bearing
d <sub>2</sub>	130 mm	Outside diameter nut
B <sub>2</sub>	19,75 mm	Width nut and lock
	1,694 kg	Weight

**Main Dimensions & Performance Data**

d <sub>1</sub>	90 mm	bore diameter
G	M100x2	Thread
B <sub>1</sub>	71 mm	sleeve length

**Additional information**

	KM20	Locknut
	MB20	Fuse
	1:12	Taper

