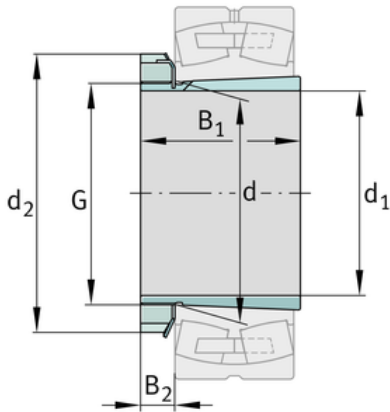
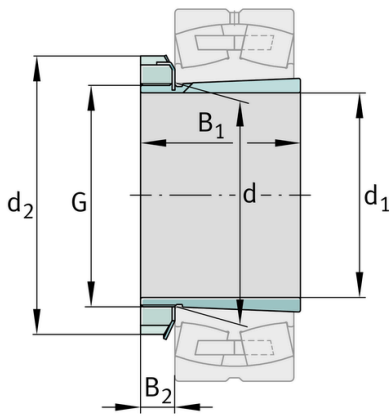
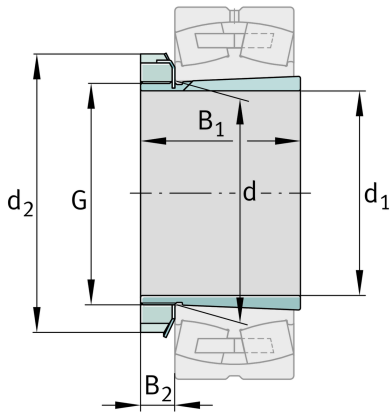
**FAG****H3124**

## Adapter sleeve

Schaeffler ID:  
0167311230000Adapter sleeve H, accessory rolling  
bearing, complete, mechanical, FP

## Technical information

**Dimensions**

d	120 mm	Bore diameter bearing
d <sub>2</sub>	155 mm	Outside diameter nut
B <sub>2</sub>	22 mm	Width nut and lock
	2,7 kg	Weight

**Main Dimensions & Performance Data**

d <sub>1</sub>	110 mm	bore diameter
G	M120x2	Thread
B <sub>1</sub>	88 mm	sleeve length

**Additional information**

	KM24	Locknut
	MB24	Fuse
	1:12	Taper

