



GYE45-210-XL-KRR-B

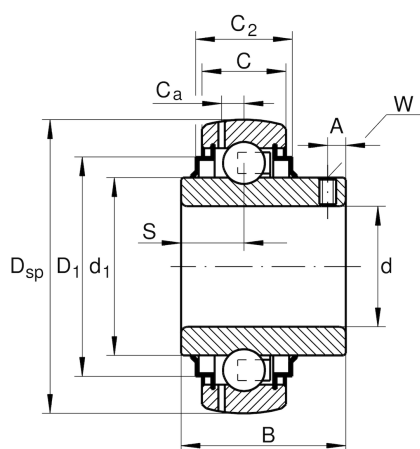
Radial insert ball bearing

Schaeffler ID:
0009925850000

Radial insert ball bearings GYE..-KRR-B, spherical outer ring, location by grub screws, R seals on both sides

X-life

Technical information



Main Dimensions & Performance Data

d	45 mm	Bore diameter
D _{SP}	90 mm	Outside diameter
B	51,6 mm	Width
n _{G Grease}	9.000 1/min	Limiting speed for grease lubrication
C _r	37.500 N	Basic dynamic load rating, radial
C _{0r}	23.200 N	Basic static load rating, radial
C _{ur}	1.210 N	Fatigue load limit, radial
	0,9 kg	Weight

Dimensions

C	22 mm	Width, outer ring
C ₂	26,4 mm	Sealing total width
S	19 mm	Distance raceway
d ₁	62,9 mm	Rib diameter inner ring
D ₁	77,3 mm	Outside diameter seal
C _a	6,9 mm	Distance to lubrication hole
A	8,5 mm	Distance thread
W	4 mm	Width of flats

Calculation factors

f ₀	14,4	Calculation factor
----------------	------	--------------------