



## GLCTE40-XL

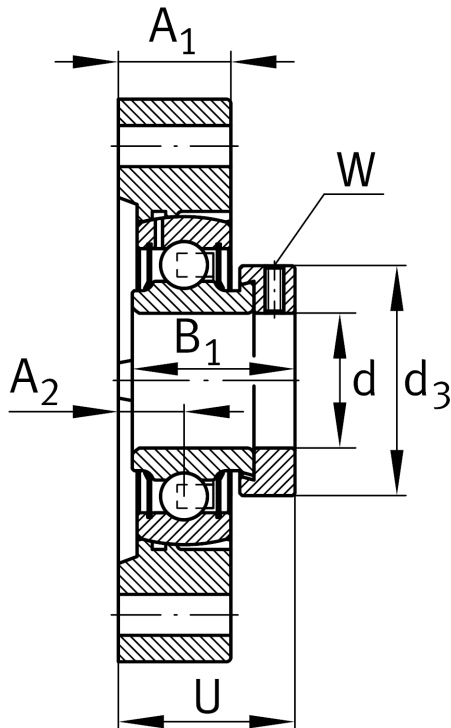
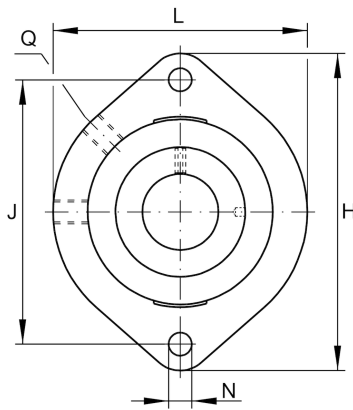
### Flanged housing unit

Schaeffler ID:  
0008938380000

Housing units GLCTE, two-bolt flanged housing units, cast iron, eccentric locking collar, P seals

X-life

### Technical information



#### Dimensions

$A_1$	24 mm	Thickness of flange
$A_2$	13,5 mm	Distance raceway
$B_1$	43,8 mm	Locking collar total width
Q	M6	Connection thread lubrication
$d_3$	58 mm	Outside diameter eccentric locking collar
	1,27 kg	Weight

#### Main Dimensions & Performance Data

d	40 mm	Bore diameter
L	100 mm	Flange width
H	150 mm	Height flange
U	46,3 mm	Total height unit
$C_r$	34.500 N	Basic dynamic load rating, radial
$C_{or}$	19.800 N	Basic static load rating, radial
$C_{ur}$	1.030 N	Fatigue load limit, radial

#### Mounting dimensions

J	119 mm	Distance fixing bore
N	14 mm	Fixing bore
n	2	Number of screwing holes

#### Additional information

	1	Number of housings
	GLCTE08	Housing
	GRAE40-XL-NPP-B	Bearing designation