

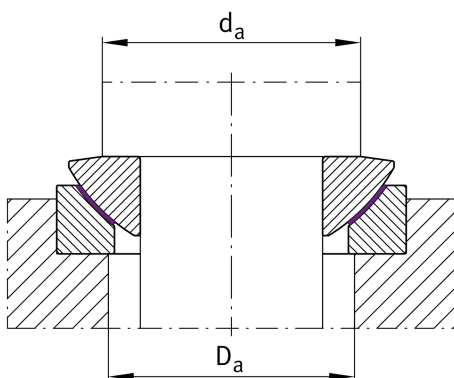
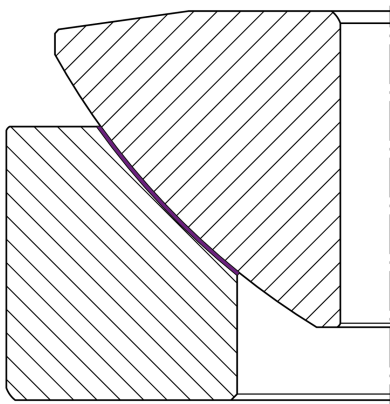
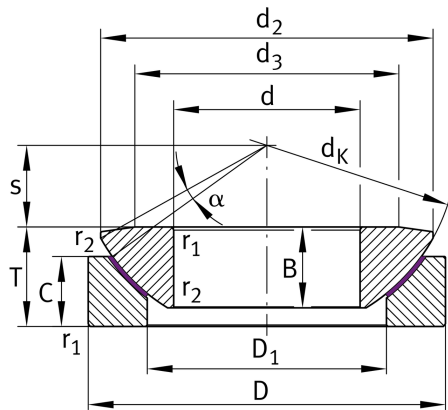
## GE45-AW-A

### Spherical plain bearing

Schaeffler ID:  
0066517120000

Axial spherical plain bearing, maintenance-free; DIN ISO 12240-3; shaft location washer curved surface with hard chromium coating; open design

### Technical information



### Main Dimensions & Performance Data

d	45 mm	Bore diameter bearing
D	120 mm	Outside diameter bearing
T	36,5 mm	Height
B	31 mm	Width Inner ring
C <sub>a</sub>	1.460.000 N	Basic dynamic load rating, axial
C <sub>0a</sub>	2.430.000 N	Basic static load rating, axial
	2,49 kg	Weight

### Dimensions

d <sub>K</sub>	130 mm	Ball diameter
d <sub>2</sub>	112 mm	Outer eye diameter
d <sub>3</sub>	89 mm	Front surface diameter of shaft washer
D <sub>1</sub>	68 mm	Bore diameter of housing washer
C	25 mm	Width Outer ring
s	27,5 mm	Plane Surface Spacing
α	6 °	Tilt angle
d <sub>UT</sub>	-0,012 mm	Bore diameter bearing, lower tolerance
D <sub>UT</sub>	-0,015 mm	Outside diameter, lower tolerance
T <sub>UT</sub>	-0,4 mm	Height, lower tolerance
B <sub>UT</sub>	-0,24 mm	Width inner ring, lower tolerance
C <sub>OT</sub>	-0,24 mm	Width outer ring, lower tolerance

### Mounting dimensions

r <sub>1smin</sub>	1 mm	Edge Spacing
r <sub>2smin</sub>	0,3 mm	Edge Spacing
d <sub>a max</sub>	89 mm	Connection measure Inner ring
D <sub>a min</sub>	74 mm	Housing Connection Diameter

**Temperature range**

T <sub>min</sub>	-50 °C	Operating temperature min.
T <sub>max</sub>	150 °C	Operating temperature max.