



## GE20-XL-KRR-B

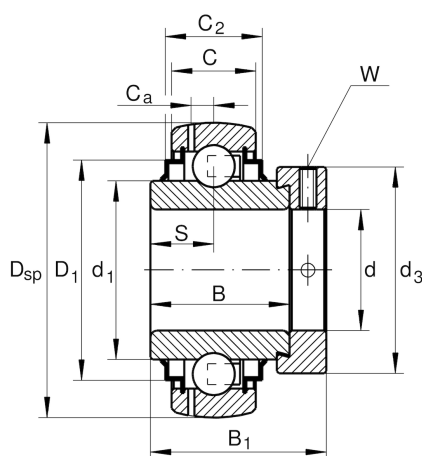
Radial insert ball bearing

Schaeffler ID:  
0008041340000

Radial insert ball bearing GE..-XL-KRR-B

X-life

### Technical information



### Main Dimensions & Performance Data

d	20 mm	Bore diameter
D <sub>SP</sub>	47 mm	Outside diameter
B	34,1 mm	Width
B <sub>1</sub>	43,7 mm	Locking collar total width
n <sub>G Grease</sub>	18.700 1/min	Limiting speed for grease lubrication
C <sub>r</sub>	12.800 N	Basic dynamic load rating, radial
C <sub>0r</sub>	6.600 N	Basic static load rating, radial
C <sub>ur</sub>	345 N	Fatigue load limit, radial
	0,19 kg	Weight

### Dimensions

C	14 mm	Width, outer ring
C <sub>2</sub>	16,6 mm	Sealing total width
S	17,1 mm	Distance raceway
d <sub>1</sub>	27,6 mm	Rib diameter inner ring
D <sub>1</sub>	37,4 mm	Outside diameter seal
C <sub>a</sub>	4 mm	Distance to lubrication hole
d <sub>3</sub>	33 mm	Outside diameter locking collar/locknut
W	3 mm	Width of flats

### Calculation factors

f <sub>0</sub>	13,1	Calculation factor
----------------	------	--------------------