



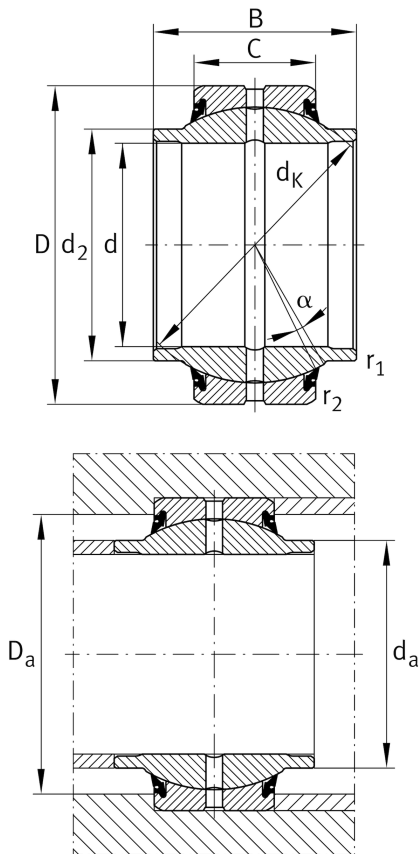
## GE20-HO-2RS

### Spherical plain bearing

Schaeffler ID:  
0066480450000

Radial spherical plain bearing, requiring maintenance, sliding contact surface: steel/steel, cylindrical extensions on inner ring, sealed

### Technical information



### Main Dimensions & Performance Data

d	20 mm	Bore diameter bearing
D	35 mm	Outside diameter bearing
B	24 mm	Width Inner ring
$C_r$	30.500 N	Basic dynamic load rating, radial
$C_{0r}$	117.000 N	Basic static load rating, radial
	67,956 g	Weight

### Mounting dimensions

$d_{a \max}$	24 mm	Connection measure Inner ring
$D_{a \min}$	27,5 mm	Housing Connection Diameter

### Dimensions

C	12 mm	Width Outer ring
$d_K$	29 mm	Ball diameter
$\alpha$	3 °	Tilt angle
$r_{1\min}$	0,2 mm	Edge Spacing
$r_{2\min}$	0,3 mm	Edge Spacing
$d_{OT}$	0 mm	Bore diameter bearing, upper tolerance
$d_{UT}$	-0,01 mm	Bore diameter bearing, lower tolerance
$D_{OT}$	0 mm	Outside diameter, upper tolerance
$D_{UT}$	-0,011 mm	Outside diameter, lower tolerance
$B_{OT}$	0,2 mm	Width inner ring, upper tolerance
$G_r$	0,04 - 0,082 mm	Radial Clearance
$B_{UT}$	-0,2 mm	Width inner ring, lower tolerance
$C_{OT}$	0 mm	Width outer ring, upper tolerance

### Temperature range

$T_{\min}$	-30 °C	Operating temperature min.
$T_{\max}$	130 °C	Operating temperature max.